



SUBURBAN GAS FURNACES

INSTALLATION INSTRUCTIONS FOR MODELS

SF-20Q • SF-25Q • SF-30Q • SF-35Q • SF-42Q
SF-20FQ • SF-25FQ • SF-30FQ • SF-35FQ • SF-42FQ



The design of the furnace has been listed for installation in recreational vehicles only. In order for the furnace to operate in conformity with generally accepted safety regulations, the installation instructions must be followed. Failure to comply with the installation instructions will void the warranty on the furnace and any responsibility on the part of AIRXCEL, INC. - SUBURBAN DIVISION.

The furnace was inspected before it left the factory. If any parts are found to be damaged, do not install the furnace. Immediately contact the transportation company and file a claim.

This book contains instructions covering the operation and maintenance of your furnace. INSTALLER: LEAVE THIS MANUAL WITH THE APPLIANCE. CONSUMER: RETAIN THIS MANUAL FOR FUTURE REFERENCE. Should you require further information, contact your dealer or nearest Suburban Service Center.

▲ WARNING

Installation of this appliance must be made in accordance with the written instructions provided in this manual. No agent, representative or employee of Suburban or other person has the authority to change, modify or waive any provision of the instructions contained in this manual.

▲ WARNING

FIRE, EXPLOSION AND ASPHYXIATION HAZARD

Improper adjustment, alteration, service, maintenance or installation can cause serious injury or death.

Read and follow instructions and precautions in User's Information Manual provided with this furnace. Installation and service must be performed by a qualified service agency or the gas supplier.

▲ WARNING

Be sure the furnace and all ignition systems are "OFF" during any type of refueling and while vehicle is in motion or being towed.

▲ WARNING

FIRE OR EXPLOSION HAZARD

Failure to follow safety warning exactly could result in serious injury, death or property damage.

— Do not store or use gasoline or other flammable vapors and liquids in the vicinity of this or any other appliance.

— WHAT TO DO IF YOU SMELL GAS

- Evacuate all persons from the vehicle.
- Shut off the gas supply at the gas container or source.
- Do not touch any electrical switch, or use any phone or radio in the vehicle.
- Do not start the vehicle's engine or electric generator.
- Contact the nearest gas supplier or qualified service technician for repairs.
- If you cannot reach a gas supplier or qualified service technician, contact the nearest fire department.
- Do not turn on the gas supply until the gas leak(s) has been repaired.

— Installation and service must be performed by a qualified installer, service agency or the gas supplier.

▲ WARNING

CARBON-MONOXIDE POISONING HAZARD

Failure to follow instructions could result in severe personal injury or death due to carbon-monoxide poisoning, if combustion products infiltrate into the building.

Check that all openings in the outside wall around the vent (and air intake) pipe(s) are sealed to prevent infiltration of combustion products into the building.

Check the furnace vent (and air intake) terminal(s) are not obstructed in any way during all seasons.

▲ FOR YOUR SAFETY

DO NOT STORE OR USE GASOLINE OR OTHER FLAMMABLE VAPORS AND LIQUIDS IN THE VICINITY OF THIS OR ANY OTHER APPLIANCE.

▲ WARNING

Improper installation, adjustment, alteration, service or maintenance can cause property damage, personal injury or loss of life. Refer to the installation instructions and/or owners manual provided with this appliance. Installation and service must be performed by a qualified installer, service agency or the gas supplier.

▲ WARNING

Be sure the furnace and all ignition systems are "OFF" during any type of refueling and while vehicle is in motion or being towed.

INSTALLATION INSTRUCTIONS

▲ WARNING

Installation of this appliance must be made in accordance with the written instructions provided in this manual. No agent, representative or employee of Suburban or other person has the authority to change, modify or waive any provision of the instructions contained in this manual.

THESE FURNACES ARE DESIGNED TO BE INSTALLED IN SUCH A MANNER THAT THEY CAN BE REMOVABLE FROM THE EXTERIOR OF THE RECREATIONAL VEHICLE.

IF UNIT IS TO BE INSTALLED VERTICALLY, YOU MUST USE KIT #520965 (INSTALLATION INSTRUCTIONS ARE ENCLOSED IN KIT).

▲ CAUTION

If possible, do not install the furnace to where the vent can be covered or obstructed when any door on the trailer is opened. If this is not possible, then the travel of the door must be restricted in order to provide a 6" minimum clearance between the furnace vent and any door whenever the door is opened.

NOTE: The exhaust temperature of this furnace could discolor or warp some materials. You should verify that the material used on the coach door, panel, or cover will not discolor or warp from the exhaust temperature whenever any door, panel, or cover is in the open position.

▲ CAUTION

Due to the differences in vinyl siding, this appliance should not be installed on vinyl siding without first consulting with the manufacturer of the siding or cutting the siding away from the area around the appliance vent.

In any installation in which the vent of this appliance can be covered due to the construction of the RV or some special feature of the RV such as slide out, pop-up etc. always insure that the appliance cannot be operated by setting the thermostat to the positive "OFF" position and shutting off all electrical and gas supply to the appliance. Never operate furnace with vent covered.

This furnace was shipped from the factory set up for the gas connection to be made at the either the right rear of the unit as illustrated in Figure 3 or the right front of the unit as illustrated in Figure 5. If you wish to make gas connection through the top of cabinet, you must remove furnace from cabinet and turn gas inlet fitting 90° CLOCKWISE. DO NOT TURN FITTING COUNTER-CLOCKWISE, this will loosen fitting and result in a gas leak. For front gas connection, flare fitting must be installed using sealing compound approved for use with propane.

▲ WARNING

Hold manifold firmly when turning elbow to prevent any force from being inserted on the valve and to prevent any leaks from developing. Be sure to check all fittings for leaks including the inlet and outlet on the valve before reinstalling furnace into cabinet. Correct all leaks immediately. **NOTE:** The furnace must be in operation to properly check for leaks.

NOTE: These furnaces must be installed and vented as described in this manual so that the negative pressure created by the air circulating (return air) fan cannot affect the combustion air intake or venting of any other appliance. It is imperative that the products of combustion be properly vented to the atmosphere and that all combustion air supplied to burner be drawn from the outside atmosphere. (See Installing Vent Assembly.)

NOTE: Do not install the furnace with the vent facing toward the forward end of the coach. See figures 9 and 10.

IMPORTANT

If this furnace is to be connected to a common duct system also serving a cooling unit, a manual or automatic damper is required to prevent any cold conditioned air from circulating back into the furnace. Cold air passing over the furnace combustion chamber during the operation of the cooling unit can result in the formation of condensation inside the furnace combustion chamber. This condensation may promote corrosion and premature failure of the combustion chamber.

NOTE: These furnaces shall be installed so the electrical components are protected from water.

These furnaces are design certified for propane gas only. Do not attempt to convert to natural gas.

Gas supply pressure for purposes of input adjustment:

Minimum - 11" W.C.* Maximum - 13" W.C. *
(W.C.* - Water Column)

In the U.S.A., the installation of the furnace must be in accordance with local codes and regulations. In the absence of local codes and regulations, refer to the latest edition of:

1. Standard for Recreational Vehicles NFPA 1192.
2. National Fuel Gas Code ANSI Z223.1 / NFPA 54.
3. Furnace must be electrically grounded in accordance with the latest edition of the National Electrical Code NFPA 70.

In Canada, the furnace must be installed in accordance with:

1. Standard CSA Z240.0.2-08 Recreational Vehicles.
2. CSA Standard Z240.6.2-08/C22.2 NO.148-08 Electrical Requirements for Recreational Vehicles.
3. Standard Z240.4.2-08 Installation Requirements for Propane Appliances and Equipment in Recreational Vehicles.
4. CAN/CGA-B149 Installation Codes.
5. Any applicable local codes and regulations.

This unit is equipped with an electric igniter device that has an energy consumption of .1 amp @ 12 volts D.C.

▲ WARNING

Extension tubes cannot be used. If you try to extend the vent, it will result in improper installation which could cause unsafe furnace operation.

There are three (3) common methods described below for installing the furnace. Regardless of the method (see sections A., B., or C. below) you choose, we require an opening be provided in the exterior of the trailer or motor home for free, unobstructed removal of the furnace. This exterior, removable panel or wall section of the trailer or motor home must be a minimum of 17-3/4 x 8.

It is important that adequate return air be provided to assure normal heating and operation of the furnace. Failure to provide the minimum return air will cause erratic furnace cycling. Refer to the chart shown below for minimum return air requirements.

RETURN AIR REQUIREMENTS	
Model	Minimum Free (unobstructed) Area
SF-20/25/30Q SF-20FQ/25FQ/30FQ	55 Sq. In.
SF-35Q/35FQ	55 Sq. In.
SF-42Q/42FQ	142 Sq. In.* <small>*May be reduced to 88 sq. in. min. if 5 ducts are used.</small>

TABLE 1

NOTE: Return air must be from within the living area of the coach.

NOTE: RV's that have a wall of separation to a cargo area (Toy Box) to transport internal combustion engine vehicles must not have return air openings from this area.

A. INSTALLATION DIRECTLY AGAINST OUTER PANEL OF COACH (See Figure 2) (Panel supplied by installer)

Maximum wall thickness for this type installation is 2".

1. Locate the furnace near lengthwise center of the coach.
2. Choose a location for installation out of the way of wires, pipes, etc., which might interfere with the installation. Adhere to the minimum clearances from the cabinet to combustible construction as listed in Table 2. Refer to Figure 1 for illustration of furnace clearances.
3. When an appliance is installed directly on carpeting, tile or other combustible material, other than wood flooring, the appliance shall be installed on a metal or wood panel extending the full width and depth of the appliance. If preferred, the carpeting, tile or combustible materials, other than wood may be cut away the full length and depth of the appliance plus the appliance minimum clearances to combustibles. (See Table 2.)
4. Cut an opening through the inner wall. This will allow the rear of the furnace to be installed against the outer panel of the coach.
5. Locate center lines for exhaust and intake, as shown in Figure 2, 4.
6. Cut two 2-1/4" diameter holes through the outer panel of the coach. (See Figure 2, 4.)
7. Put furnace in place, making sure that rear of the furnace cabinet is as close to outer panel of the coach as possible and still assure proper vent tube overlap. (See Installing Vent Assembly.)
8. Secure furnace to the floor using the two (2) holes provided in the furnace cabinet. (See Figure 6.)
9. Be sure furnace is secured within furnace cabinet. (See Figure 6.)
10. Install vent assembly. (See instructions for installing vent.)

B. INSTALLATION NOT AGAINST OUTER PANEL OR SKIN AND "X" DIMENSION GREATER THAN 1 1/2"

(See Figures 3, 5) (Exterior panel supplied by installer)

Maximum wall thickness for this type installation is 2".

1. Locate the furnace near lengthwise center of the coach.
2. Choose a location for installation out of the way of wires, pipes, etc., which might interfere with the installation. Adhere to the minimum clearances from cabinet to combustible construction as listed in Table 2. Refer to Figure 1 for illustration of furnace clearances.
3. When an appliance is installed directly on carpeting, tile or other combustible material, other than wood flooring, the appliance shall be installed on a metal or wood panel extending the full width and depth of the appliance. If preferred, the carpeting, tile or combustible materials, other than wood may be cut away the full length and depth of the appliance plus the appliance minimum clearances to combustible. (See Table 2.)
4. Determine "X" dimension as shown in Figures 3, 5. The tubes supplied with the furnace will accommodate an installation range for "X" from 0-1 1/2". If "X" dimension is greater than 1 1/2", then special vent tubes as charted in Figures 3, 5 must be ordered.

▲ WARNING

Do not alter, cut, or otherwise modify the vent tubes as supplied by Suburban. Doing so could result in inadequate intake of combustion air or improper venting of furnace exhaust.

5. After determining "X" dimension, complete the furnace installation as follows:
6. Locate center lines for exhaust and intake tubes as shown in Figures 2, 4.
7. Cut two 2-3/4" diameter holes through the outer panel or outer skin. (See Figures 3, 5.)
8. Put furnace in place, making sure that rear of furnace cabinet is as close to inner wall section of the coach as possible and still assure proper vent tube overlap. (See Installing Vent Assembly.)
9. Secure furnace to the floor using the two (2) holes provided in the furnace cabinet. (See Figure 6.)
10. Slide furnace into cabinet. Be sure furnace is secured within furnace cabinet (See Figure 6.)
11. Install vent assembly. (See instructions for installing vent.)

C. INSTALLATION USING THE FURNACE ACCESS DOOR SUPPLIED BY SUBURBAN (See Figure 4)

Maximum wall thickness for this type installation is 2".

1. Locate the furnace near lengthwise center of coach.
2. Choose a location for installation out of the way of wires, pipes, etc., which might interfere with the installation. Adhere to the minimum clearances from the cabinet to combustible construction as listed in Table 2. Refer to Figure 1 for illustration of furnace clearances.
3. When an appliance is installed directly on carpeting, tile or other combustible material, other than wood flooring, the appliance shall be installed on a metal or wood panel extending the full width and depth of the appliance. If preferred, the carpeting, tile or combustible matters, other than wood may be cut away the full length and depth of the appliance plus the appliance minimum clearances to combustibles. (See Table 2.)
4. After furnace location has been determined, cut an opening 18-7/32 x 8-9/32" through the inner coach wall and the outer wall (skin) of the coach.
5. Caulk around opening as illustrated. Apply generously. The purpose of the caulking is to seal the back side of the door frame and the coach skin water tight.
6. Secure frame to outer wall (skin) through the holes in the frame. Screws should be used. (See Figure 6.) **NOTE:** Do not place screws into the holes required for mounting the door.
7. Slide furnace in place. The back of the furnace should be installed against or as close as possible to the flange on the door frame. (See illustration.) The furnace must maintain 1/2" overlap on the intake and 1-1/4" overlap on the exhaust.
8. Secure furnace to the floor using the two (2) holes provided in the furnace cabinet. (See Figure 6.)
9. Slide furnace into cabinet. Be sure furnace is secured within furnace cabinet. (See Figure 6.)
10. Position furnace access door over the frame. Secure the door to the coach skin. Be sure the coach skin is of sufficient strength to keep furnace access door in place and insure a tight seal. It may be necessary to build a wood or metal frame around the opening in order to provide adequate strength for securing door.

▲ CAUTION

The screws provided with the door may not be of sufficient length and size for all applications and it may be necessary for the installer to substitute screws in order to adequately secure the furnace access door.

11. Install vent assembly. (See instructions for installing vent.)

Model	Front	Left Side	Right Side	Top	Bottom	Back	Exhaust and Intake Tube
SF-20Q/20FQ	1"	0"	0"	0"	0"	0"	3/8"
SF-25Q/25FQ	1"	0"	0"	0"	0"	0"	3/8"
SF-30Q/30FQ	1"	0"	0"	0"	0"	0"	3/8"
SF-35Q/35FQ	1"	0"	0"	0"	0"	0"	3/8"
SF-42Q/42FQ	1"	2"	2"	1"	0"	0"	3/8"
<p>-NOTE- 0" MEANS TO SPACER BUMPS</p> <p>CLEARANCE FROM DUCTS TO COMBUSTIBLE MATERIAL - 1/4" (See Figure 1)</p>							

TABLE 2

INSTALLING VENT ASSEMBLY

The vent outlet must be installed so it is in the same atmospheric pressure zone as the combustion air intake. The exhaust and intake tubes must be installed from the outside, pass through the RV skin and slide onto the furnace exhaust and intake.

⚠ WARNING

Do not alter the vent assembly supplied with this furnace. Any modifications will result in improper installation which could cause unsafe furnace operation.

⚠ CAUTION

Combustion air must not be drawn from the living area. All air for combustion must be drawn from the outside atmosphere. All exhaust gases must be vented to the outside atmosphere - never inside the RV. Therefore, it is essential to insure that the vent cap and tube assemblies are properly installed.

1. Apply caulking to RV skin behind vent cap as shown in Figures 2, 4. Apply caulking generously around perimeter of vent cap and across center as shown.
2. Insert intake tube through RV skin and slide it onto the furnace intake (See Figures 2, 4.) Minimum tube overlap of 1/2" is required.
3. Insert vent cap exhaust tube through RV skin and slide it onto the furnace exhaust (See Figures 2, 4.) Minimum tube overlap of 1 1/4" is required.
4. Attach vent cap assembly to outer skin of RV with the six (6) screws provided. Do not install vent assembly upside down. The word "Suburban" must be right side up.

CONNECTING GAS SUPPLY

⚠ CAUTION

This furnace was shipped from the factory set up for the gas connection to be made at the either the right rear of the unit as illustrated in Figure 3 or the right front of the unit as illustrated in Figure 5. If you wish to make gas connection through the top of cabinet, you must remove furnace from cabinet and turn gas inlet fitting 90° CLOCKWISE. DO NOT TURN FITTING COUNTER-CLOCKWISE, this will loosen fitting and result in a gas leak. For front gas connection, flare fitting must be installed using sealing compound approved for use with propane.

⚠ WARNING

Hold manifold firmly when turning elbow to prevent any force from being inserted on the valve and to prevent any leaks from developing. Be sure to check all fitting for leaks including the inlet and outlet on the valve before reinstalling furnace into cabinet. Correct all leaks immediately. NOTE: The furnace must be in operation to properly check for leaks.

Connect the gas supply to the furnace at the manifold, following the suggestions outlined below. It will be necessary to hold the flare fitting on the furnace manifold when connecting or loosening gas line.

NOTE: The compound used on threaded joints must be resistant to liquefied petroleum (Propane) gas.

NOTE: The appliance must be disconnected from the gas supply piping system during any pressure testing of that system at test pressure in excess of 1/2 PSIG.

The appliance must be isolated from the gas supply piping during any pressure testing of the gas supply piping system at test pressure equal to or less than 1/2 PSIG.

1. A 3/8" male flare connection is provided for gas line hookup. Some standards may require the use of a manual shut off valve in the gas line external to the furnace cabinet. For front gas connection, a flare connection must be installed using sealing compound approved for use with propane.
2. In order to maintain a check of gas supplied pressure to the furnace, Suburban advises the installer to provide the 1/8" NPT plug tap for test gauge connection immediately upstream of the gas supply connection to the furnace and that it be readily accessible.
3. After the furnace has been connected to the gas supply, all joints must be checked for leaks.

⚠ WARNING

Never check for leaks with an open flame. Turn on the gas and apply soapy water to all joints to see if bubbles are formed.

CONNECTING ELECTRICAL SUPPLY

⚠ CAUTION

This furnace is designed for negative ground 12 volt D.C. system only. Do not attempt to alter the furnace for a positive ground system or connect the furnace directly to 115 volts A.C. Damage to furnace component parts will occur. Connect only to a protected circuit fused for not more than 20 amps.

Be sure all wiring to the furnace is of heavy enough gauge to keep the voltage drop through it to a minimum and to provide enough power for start-up surge. No. 12 gauge wire is recommended. If any of the original wire that is supplied with the appliance must be replaced, it must be replaced with type 105° C or its equivalent.

Power supply connections are to be on the right side of the furnace. The wires are color coded, red for positive (+) and yellow for negative (-). This polarity must be observed so the furnace motor will run the proper direction of rotation to insure correct air delivery. (See wiring diagram.)

If the furnace power supply is to be from a converter, we recommend that the converter system used to power the furnace be wired in parallel with the battery. This will serve two purposes:

1. Provide a constant voltage supply to the furnace.
2. Filter any A.C. spikes or volt surges.

CONNECTING DUCTS TO FURNACE

The following duct requirements must be followed in order to assure proper operation of the furnace:

- A. The minimum open duct areas listed below must be maintained throughout entire duct system including through register:

MODEL	SIDE DUCTS			TOP DUCT	BOTTOM DUCT
	Min. Open Duct Area	Min No. Ducts Used	Duct Size	Min. Open Duct Area	Min. Open Duct Area
SF-20Q/20FQ	25 SQ. IN.	2	4"	56 SQ. IN.	56 SQ. IN.
SF-25Q/25FQ	36 SQ. IN.	3	4"	56 SQ. IN.	56 SQ. IN.
SF-30Q/30FQ	36 SQ. IN.	3	4"	56 SQ. IN.	56 SQ. IN.
SF-35Q/35FQ	48 SQ. IN.	4	4"	56 SQ. IN.	56 SQ. IN.
SF-42Q/42FQ	48 SQ. IN.	4	4"	56 SQ. IN.	*72 SQ. IN.

*SF-42Q Bottom Duct requires use of Bottom Duct Kit, Part No. 520753

**SF-20/25/30Q has two 4" round ducts available off of cabinet front.

***SF-35/42Q has three 4" round ducts available off of cabinet front. This front is not to be used on SF-20/25/30Q

NOTE: Ducts terminating in a dead air space (like holding tank compartments or cargo areas (Toy Boxes) with no means for return air recirculation should not be counted in the required duct area. Also ducts 2" in diameter or smaller should not be counted in the required duct area.

- B. No outlet register is to be placed within 18" of the return air opening. Any register installed at 18" should never be toward the return air opening. If a register is installed on a wall 90 degrees to the return air, it can be less than 18".

- C. Make the duct connections at the furnace cabinet tight. Loose connections will result in overheating of the component parts on the furnace and a reduction of the heated air flow through the duct system.
- D. Avoid making any sharp turns in the flex duct system. Sharp turns will increase the static pressure in the plenum area and could cause the furnace to cycle.
- E. Avoid making a lot of turns in the flex duct system. The straighter the duct system, the better the performance of the furnace.
- F. When using flex duct, insure the duct is stretched and routed straight. Do not use longer length of flex duct than is needed to route directly from furnace to register. Do not allow the duct to kink or accumulate.
- G. Maintain a minimum of 1/4" clearance where ducts pass through any combustible construction, such as coach cabinetry. (See Figure 1.) **NOTE:** UL listed duct materials can be 0" clearance.
- H. Do not install air boosters in the duct system. Such devices will cause the furnace to cycle on limit and to have erratic sail switch operation.

NOTE: After installation of the furnace and duct system is completed, adjustments must be made to obtain a temperature rise within the range specified on the Rating Plate.

INSTALLING THERMOSTAT

The thermostat used with this unit must have NO voltage output to return leg when there is not a call for heat or in the "OFF" setting.

Locate the room thermostat approximately 4-1/2 feet above the floor on an inside bulkhead where it is not affected by heat from any source except room air. Connect thermostat wiring to the blue wire and blue-white striped wire (blue-white striped wire is power to the thermostat) on right side of furnace. (See wiring diagram.) If your furnace is equipped with a thermostat that has an adjustable anticipator, the anticipator should be set at .7 amps. If you desire longer heating cycles, adjust the anticipator to a higher setting. If you desire shorter heating cycles, adjust the anticipator to a lower setting. Adjustments to the anticipator setting should be made in .5 amp increments.

PREVENTIVE MAINTENANCE

▲ WARNING

If the user of this appliance fails to maintain it in the condition in which it was shipped from the factory or if the appliance is not used solely for its intended purpose or if appliance is not maintained in accordance with the instructions in this manual, then the risk of a fire and/or the production of carbon monoxide exists which can cause personal injury, property damage or loss of life.

▲ CAUTION

Label all wires prior to disconnecting for servicing and servicing controls. Wiring errors can cause improper and dangerous furnace operation. Proper polarity **MUST BE OBSERVED** so the furnace motor will run with the proper direction of rotation to insure correct air delivery. (See wiring diagram).

Always verify proper operation of furnace after servicing.

Your furnace should be inspected by a qualified service agency yearly before turning the furnace on. Particular attention should be given to the following items.

1. Inspect furnace installation and vent termination to be sure furnace is properly secured in place (see Installation Instructions), that vent terminates to the atmosphere, and that vent tubes overlap properly (see Installing Vent Assembly.)
2. Inspect chamber and venting to assure that these components are physically sound without holes or excessive corrosion and that the installation and/or re-installation is in accordance with Suburban's installation instructions. (Reference installation manual supplied with furnace.)

▲ WARNING

It is imperative that the products of combustion be properly vented to atmosphere and that all combustion air supplied to burner be drawn from outside atmosphere.

3. Check the base on which furnace is mounted. Be sure it is physically sound, void of any sagging, deterioration, etc.

4. Inspect furnace, the venting, ducting and gas piping to furnace for obvious signs of deterioration. Correct any defects at once.
5. Inspect combustion chamber for restrictions in exhaust or intake. It is imperative that the flow of intake combustion air and the flow of exhaust gases being expelled to the outside atmosphere not be obstructed. Any soot or loose debris should be blown out using compressed air. (See Figure 8.)
6. Inspect all gaskets. If any gaskets show signs of leakage or deterioration, replace them. Safe operation of the furnace depends on all gaskets being tight.
7. Inspect return air inlet openings to the furnace. Remove any restrictions to assure adequate air flow.

You, as the owner/user, should inspect the furnace monthly during the heating season for presence of soot on vent. Operating the furnace under this condition could lead to serious property damage, personal injury or loss of life. If soot is observed on the vent, immediately shut the furnace down and contact a qualified service agency.

Listed below are several safety related items that you should follow during the heating season to assure continued safe operation of the furnace.

1. Inspect furnace venting. Venting must be free of obstructions, void of soot, and properly terminated to the atmosphere. (See Installing Vent Assembly.)

▲ WARNING

Do not install screens over the vent for any reason. Screens will become restricted and cause unsafe furnace operation. Accessories are being marketed for RV products which we do not recommend. For your safety, only factory authorized parts are to be used on your furnace.

2. Periodically inspect the vent for obstructions or presence of soot. Soot is formed whenever combustion is incomplete. This is your visual warning that the furnace is operating in an unsafe manner. If soot is present, immediately shut furnace down and contact your dealer or a qualified service person.
3. Keep furnace clean. More frequent cleaning may be required due to excessive lint from carpeting, bedding material, etc. It is imperative that control compartments, burners and circulating air passageways of the appliance be kept clean.
4. The motor is permanently lubricated and requires no oiling.
5. Keep the furnace area clear of any combustible materials, gasoline or other flammable vapor and liquids.
6. Before operating furnace, check the location of the furnace vent to make sure it will not be blocked by the opening of any door on the trailer. If it can be blocked, do not operate the furnace with the door open.
7. Do not restrict the flow of combustion air or the warm air circulation to the furnace. To do so could cause personal injury and/or death.
8. Never operate the furnace if you smell gas. Do not assume that the smell of gas is normal. Any time you detect the odor of gas, it is to be considered life threatening and corrected immediately. Extinguish any open flames including cigarettes and evacuate all persons from the vehicle. Shut off gas supply at Propane gas bottle. (See safety notice on front cover of this manual.)
9. Immediately shut furnace down and call a service agency if furnace cycles erratically or delays on ignition.

▲ WARNING

Should overheating occur, or the gas supply fail to shut off, shut off the manual gas valve to the appliance before shutting off the electrical supply.

10. Never attempt to repair damaged parts. Always have them replaced by a qualified service agency.
11. Never attempt to repair the furnace yourself. Seek the help of a qualified service person.
12. Never restrict the ducting installed by your trailer manufacturer. To do so could cause improper furnace operation.
13. Do not install air boosters in the duct system. Such devices will cause the furnace to cycle and to have erratic sail switch operation.
14. Clothing or other flammable material should not be placed on or near the appliance.
15. Always follow the operating instructions. Do not deviate from the step-by-step procedures.
16. Do not use this appliance if any part has been submerged under water. Immediately call a qualified service technician to inspect the appliance and to replace any part of the control system and any gas control that has been submerged under water.
17. When considering add-on rooms, porch or patio, attention must be given to the venting of your furnace. For your safety, do not terminate furnace vent inside add-on rooms, screen porch or onto patios. Doing so will result in products of combustion being vented into the room or occupied areas.

- In any installation in which the vent of this appliance can be covered due to the construction of the RV or some special feature of the RV such as slide out, pop-up, etc. always insure that the appliance cannot be operated by setting the thermostat to the positive "OFF" position and shutting off all electrical and gas supply to the appliance. Never operate furnace with vent covered.

INSTALLATION AND REMOVAL OF UNIT INSTALLED FROM INSIDE

TO REMOVE

- Disconnect power supply at furnace.
- Remove vent cap assembly.
- Disconnect gas connections.
- Remove cabinet front (2 screws).
- Remove tie-down screw from center of unit and remove furnace from cabinet.

TO INSTALL

- Slide unit into cabinet. **NOTE:** Care must be taken in routing wiring to back of cabinet and outside of cabinet.
- Reinstall tie-down screw.
- Reinstall cabinet front.
- Connect gas line.
- Check gas connections for leaks using a soap and water solution. Correct any gas leaks immediately.
- Reinstall vent cap assembly.

INSTALLATION AND REMOVAL OF UNIT WHEN OPTIONAL BACK IS USED

TO REMOVE

- Break power to furnace.
- Remove vent cap assembly.
- Remove optional back.
- Disconnect power supply at furnace.
- Disconnect power supply plug from module board.
- Disconnect electrode wire from module board.
- Remove the two (2) screws securing module board and panel assembly to firewall and pull out assembly. **EXERCISE CARE NOT TO DAMAGE BOARD.**

NOTE: This will allow more room for making the gas connections at the flare fitting. It will be necessary to hold the flare fitting with a wrench when tightening or loosening the gas line.

- Remove gas line.
- Remove tie-down screw at blower base and remove furnace from cabinet.

TO REINSTALL

- Slide unit into cabinet and secure with screw at base of blower.
- Connect gas line.
- Check gas connections for leaks using a soap and water solution. Correct any gas leaks immediately.
- Reinstall module board and panel assembly.
- Reconnect electrode wire to board
- Reconnect power supply to board.
- Reconnect power to furnace. **NOTE:** If this connection was made inside the cabinet, care must be exercised to prevent wires from coming in contact with the room air blower wheel.
- Reinstall optional back.
- Reinstall vent cap.
- Provide power to furnace.

OPERATING INSTRUCTIONS

▲ WARNING

Do not operate furnace while vehicle is in motion or being towed.

NOTE: During initial firing of this furnace, a burn-off of excess paint and oils remaining from manufacturing process may cause "smoking" for 5 - 10 minutes.

- Stop! Read Users Information Manual supplied with furnace.
- Turn the manual valve (if so equipped) or the valve at the outside Propane tank to the "OFF" position. Do not force.
- Set thermostat above room temperature to begin blower operation. A slight delay will occur before the blower comes on. Allow blower to run for 5 minutes for combustion chamber purge cycle. If blower does not come on or stops before ignition cycle, go to shut down and contact your dealer or a local recreational vehicle service agency.
- After 5 minutes, move thermostat lever below room temperature. Blower will remain on. Wait approximately 2 minutes for blower to go off.
- Open manual shut-off valve (if so equipped) or the valve at the outside Propane tank. Correct operating characteristics depend on the valve being positioned fully open. Never attempt to operate with a valve partially closed. **NOTE:** This furnace is equipped with a valve shut-off switch. If the furnace is started with shut-off switch in "OFF" position, the furnace motor will run for 30 seconds, then shut off. During this sequence no gas will flow to burner and the furnace will lock out requiring the user to cycle either the thermostat or unit power to reset the furnace. Ensure the shut-off switch is in the "ON" position for proper operation.
- Set thermostat lever to desired setting. If set above room temperature, blower will come on.
- Allow 30 seconds for main burner to light after blower comes on. This furnace is equipped with an ignition device which automatically lights the burner. Do not try to light the burner by hand.
- If burner does not light, repeat Steps 1 through 8.
- If after three (3) attempts with no ignition, go to shut down and contact your dealer or a local recreational vehicle service agency. Do not continue to cycle furnace through thermostat in an attempt to get ignition. **NOTE:** If furnace should lock out, the blower will go off in 5 minutes and remain off until unit is reset by reactivating thermostat.

TO SHUT DOWN

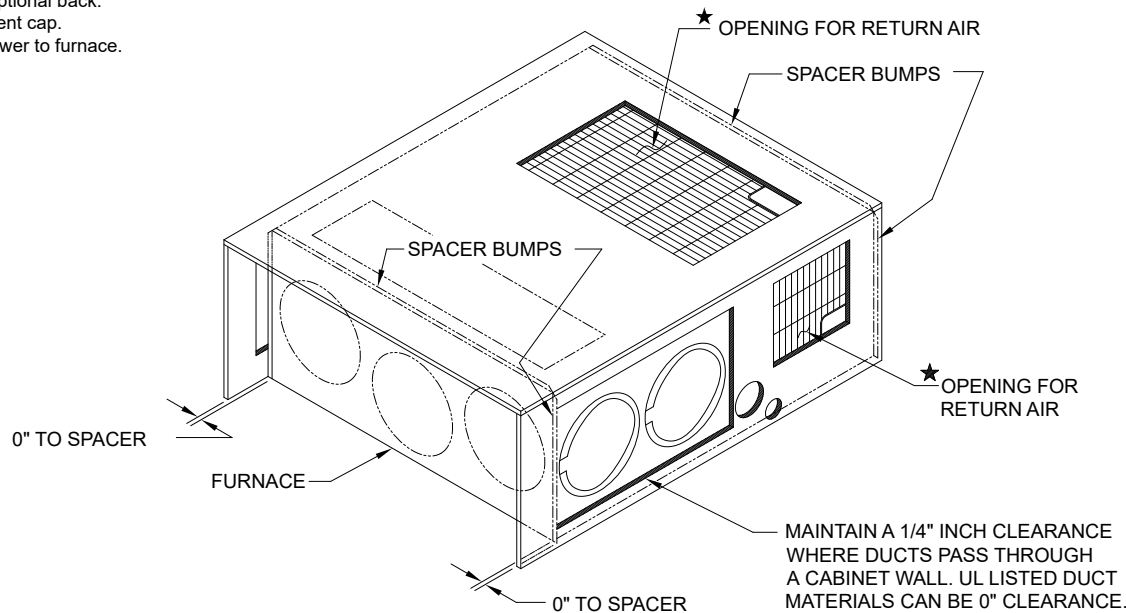
- Set the thermostat to lowest setting, then move lever to "OFF" position.
- Turn manual shut off valve (if so equipped) to the "OFF" position. Do not force.

PARTS AND SERVICE

Contact a conveniently located recommended Suburban Service Center. Describe to them the nature of your problem, make an appointment, if necessary, and provide for delivery of your RV with the appliance installed.

To obtain information on locating a local service agency, contact:

AIRXCEL, Inc., Suburban Division
Customer Service Department
676 Broadway Street
Dayton, TN 37321
(423) 775-2131 Ext. 7101
www.AIRXCEL.com



★ THE TOTAL, FREE, UNOBSTRUCTED RETURN AIR OPENING TO THE FURNACE MUST NOT BE LESS THAN THE MINIMUM SPECIFIED IN TABLE 1.

Figure 1
6

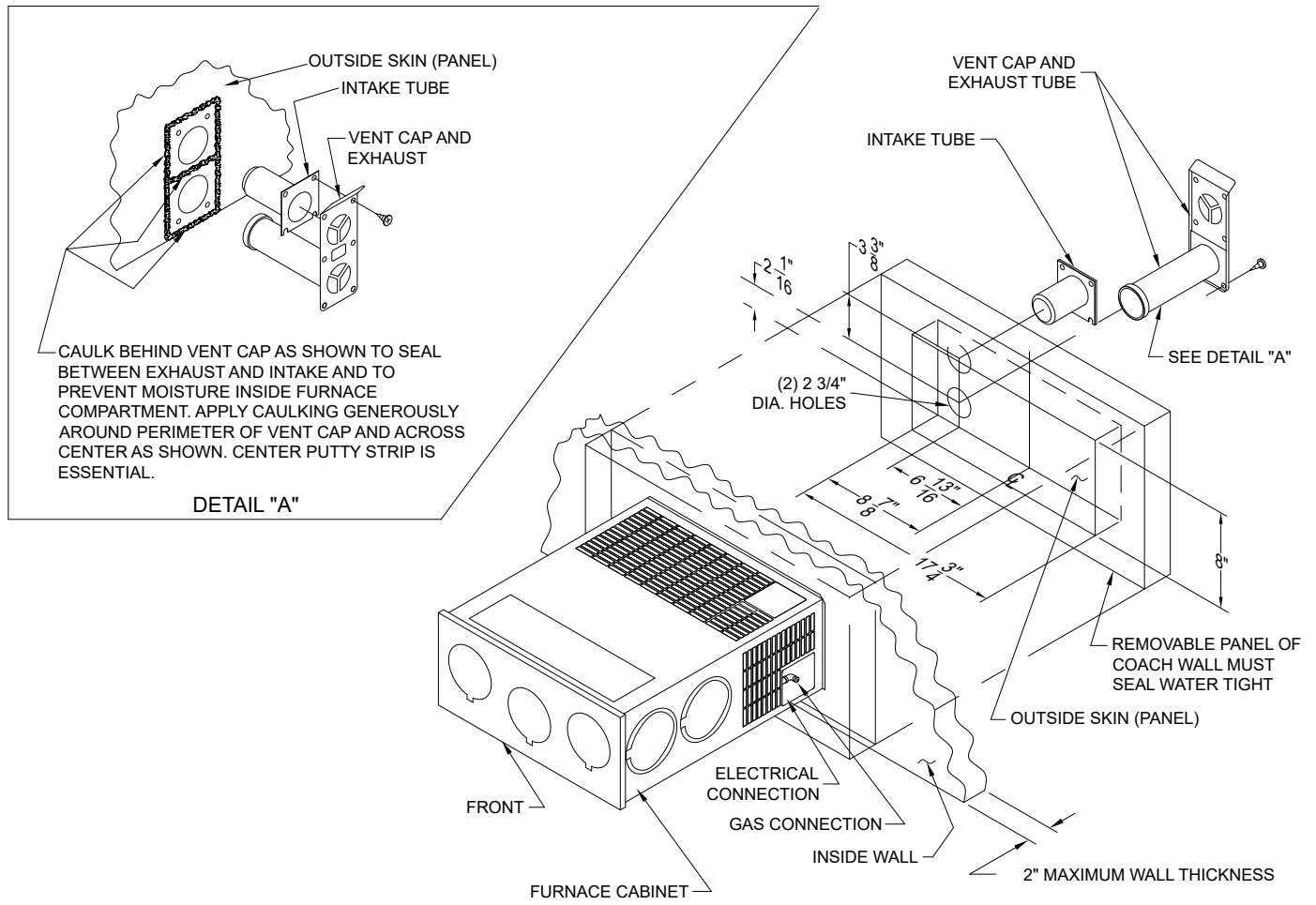
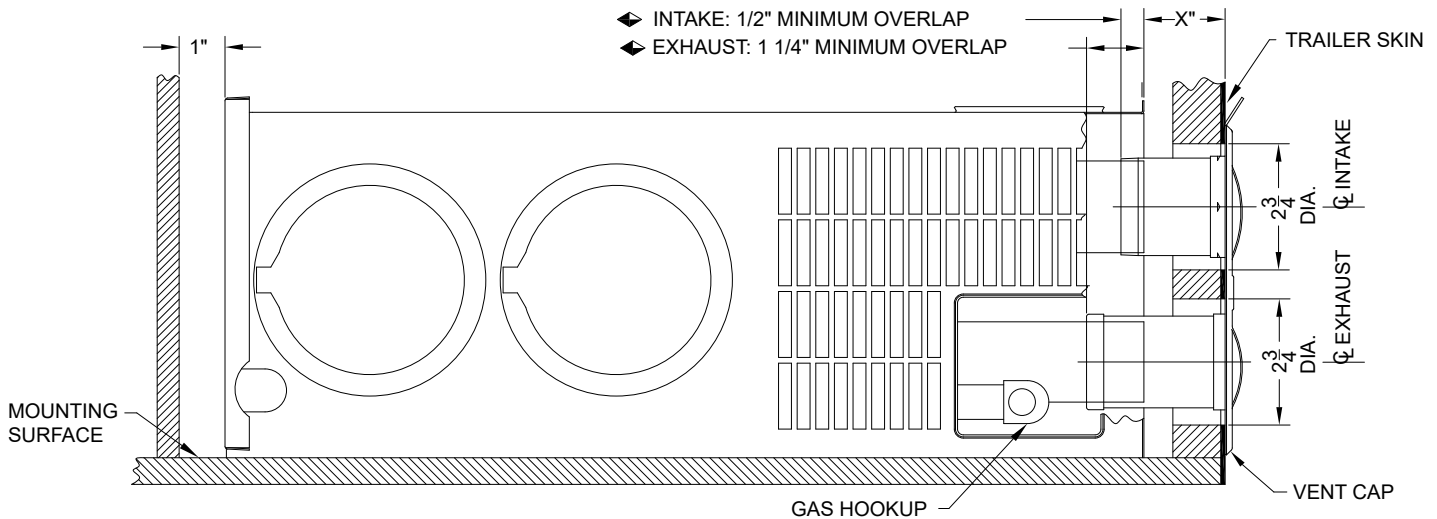


Figure 2

SF-20Q, SF-25Q, SF-30Q, SF-35Q, SF-42Q, STANDARD VENT INSTALLATION



X" DIMENSION	EXTENSION TUBES KIT NO.
0" TO 1 1/2"	★ USE VENT SUPPLIED WITH MOST FURNACES
1 1/2" TO 3"	051447 , SUPPLIED WITH STOCK NO. 2488
3" TO 4 1/2"	520768
4 1/2" TO 7 1/2"	520968
7 1/2" TO 9"	520551

- ◆ NEVER INSTALL THE EXHAUST TUBE WITH LESS THAN 1 1/4" OVERLAP, OR THE INTAKE TUBE WITH LESS THAN 1/2" OVERLAP.
- ★ STANDARD VENT ASSEMBLY FURNISHED WITH ALL REAR GAS FURNACES, EXCEPT STK NO. 2488. SPECIAL EXTENSION TUBES, IF NEEDED, MUST BE ORDERED SEPARATELY. EXTENSION KITS COME WITH COMPLETE INSTALLATION INSTRUCTIONS.

Figure 3

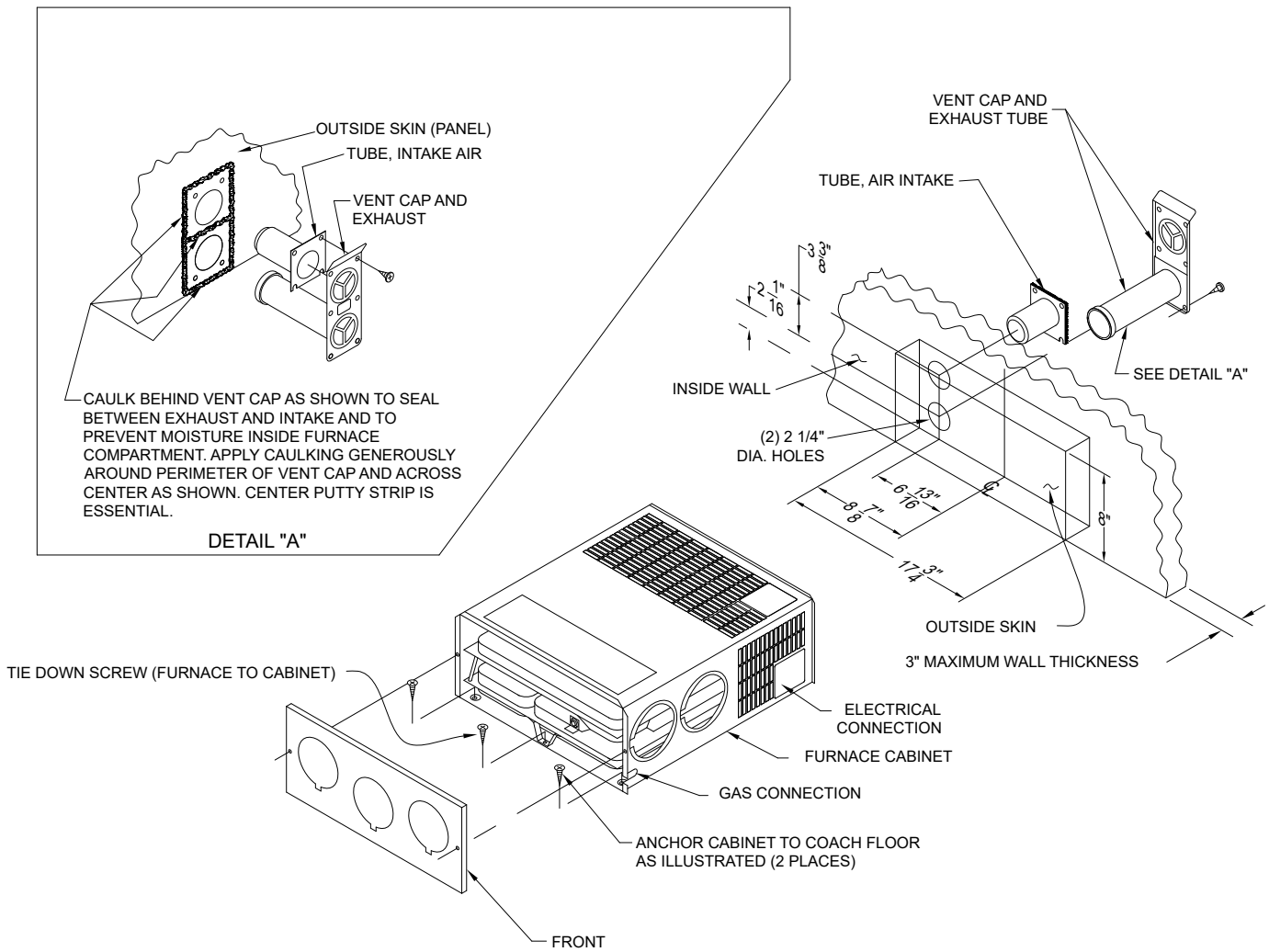
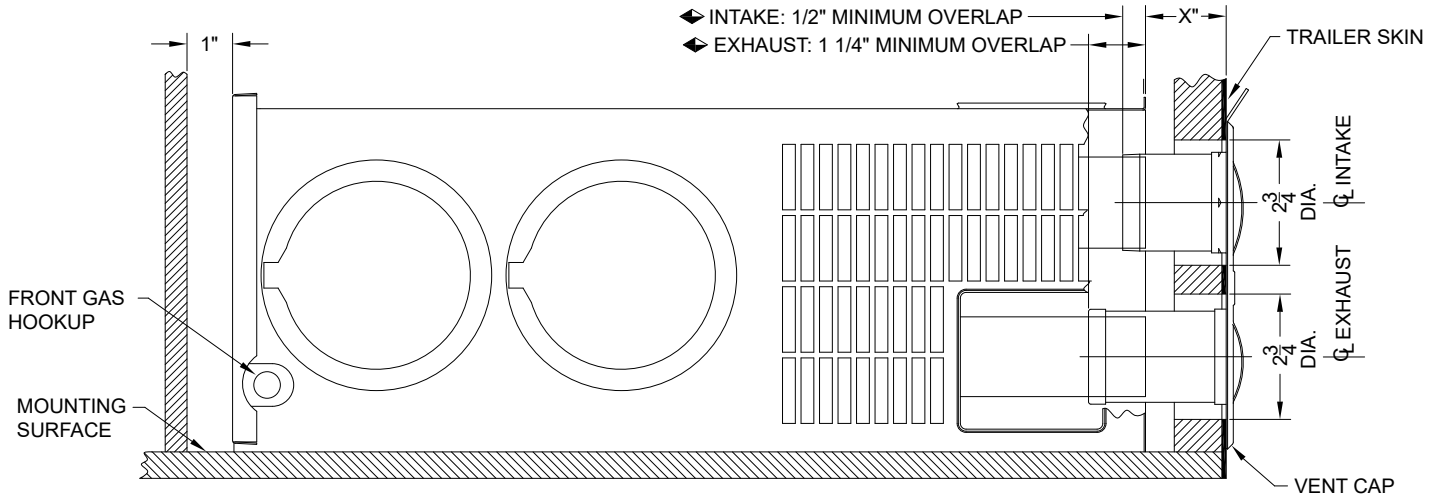


Figure 4

SF-20FQ, SF-25FQ, SF-30FQ, SF-35FQ, SF-42FQ, STANDARD VENT INSTALLATION



X" DIMENSION	EXTENSION TUBES KIT NO.
0" TO 1 1/2"	520767
1 1/2" TO 3"	★ USE VENT SUPPLIED WITH FURNACE
3" TO 4 1/2"	520768
4 1/2" TO 7 1/2"	520968
7 1/2" TO 9"	520551

- ◆ NEVER INSTALL THE EXHAUST TUBE WITH LESS THAN 1 1/4" OVERLAP, OR THE INTAKE TUBE WITH LESS THAN 1/2" OVERLAP.
- ★ STANDARD VENT ASSEMBLY FURNISHED WITH FURNACE. SPECIAL EXTENSION TUBES, IF NEEDED, MUST BE ORDERED SEPARATELY. EXTENSION KITS COME WITH COMPLETE INSTALLATION INSTRUCTIONS.

Figure 5

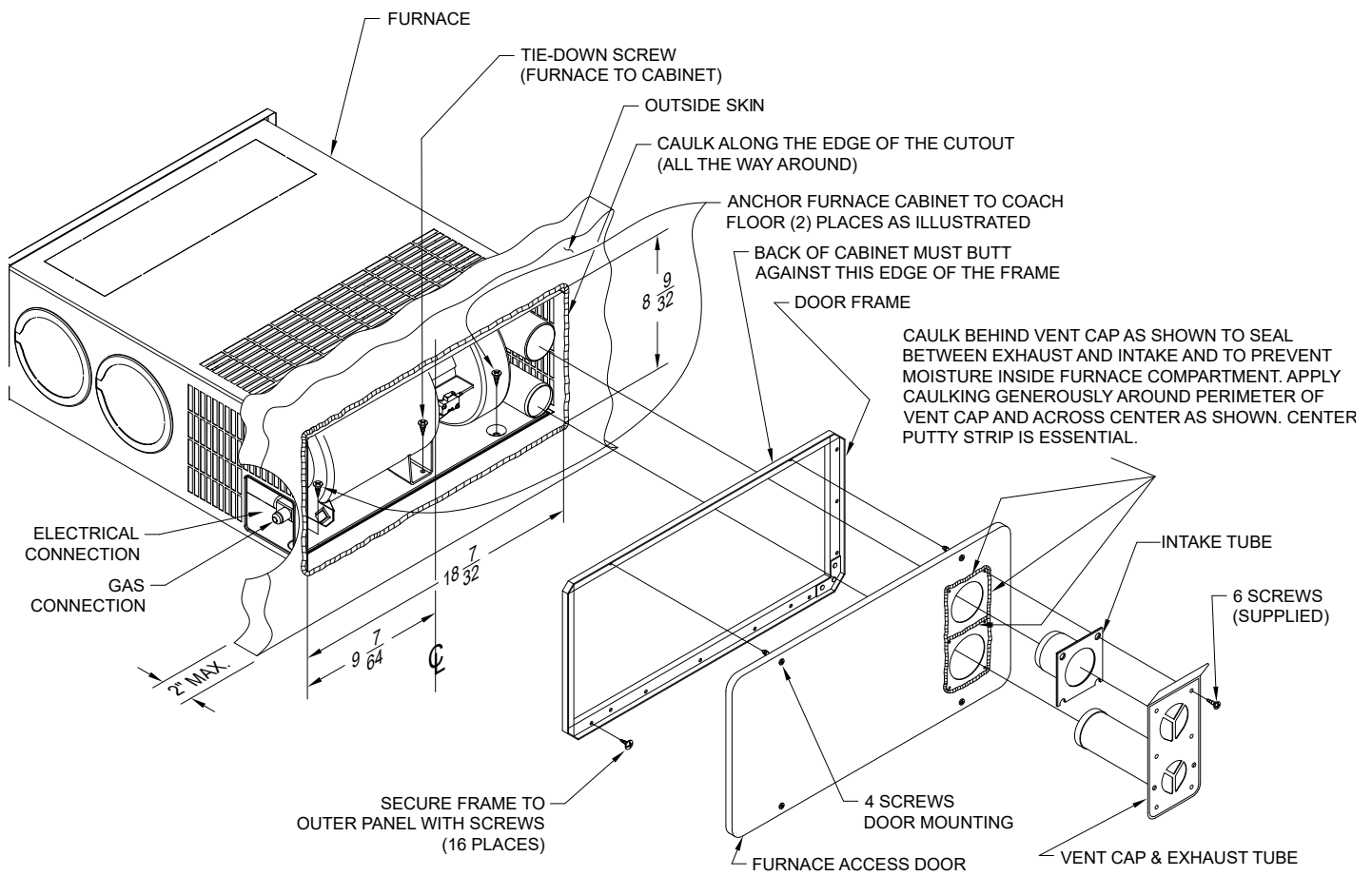


Figure 6

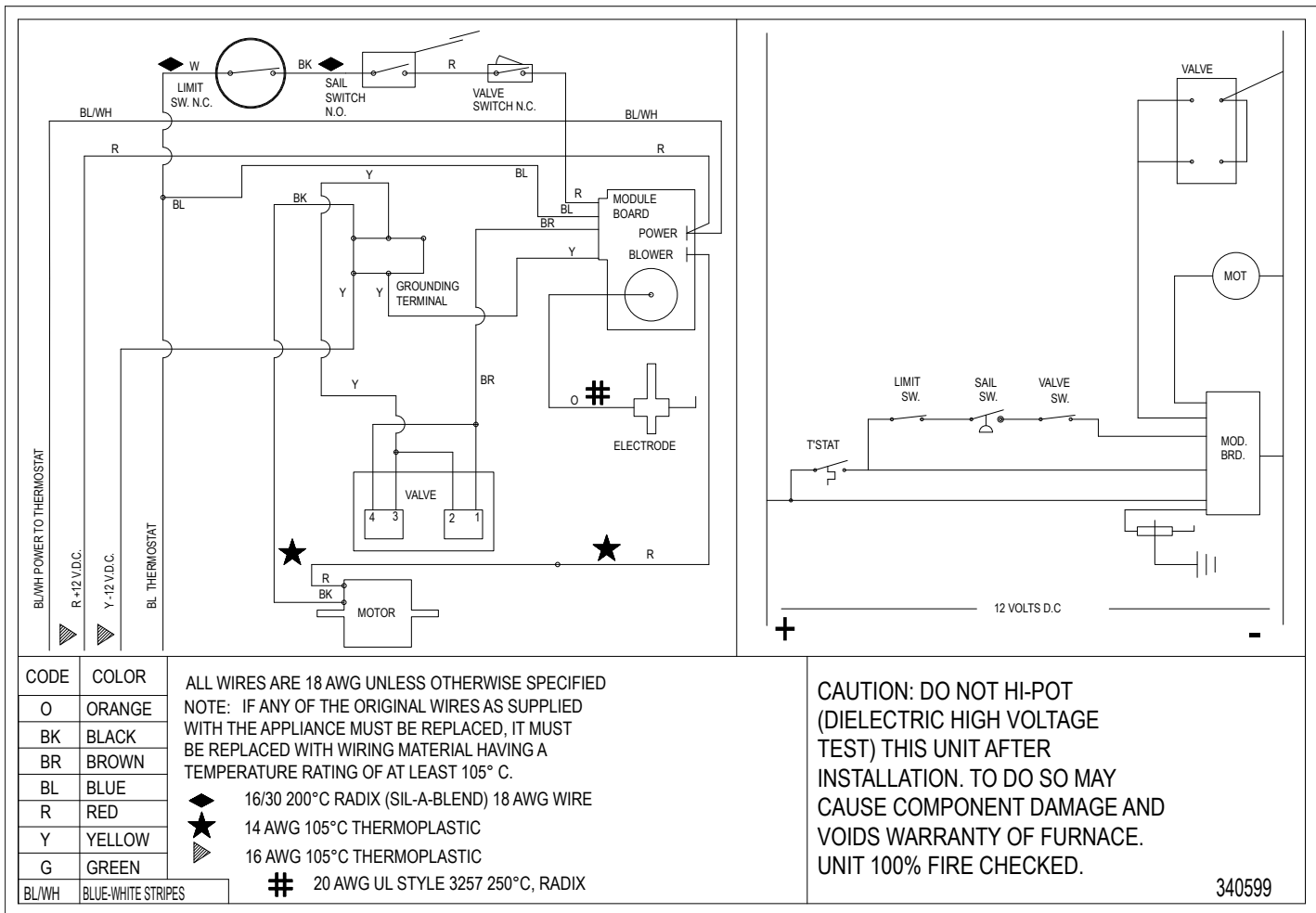
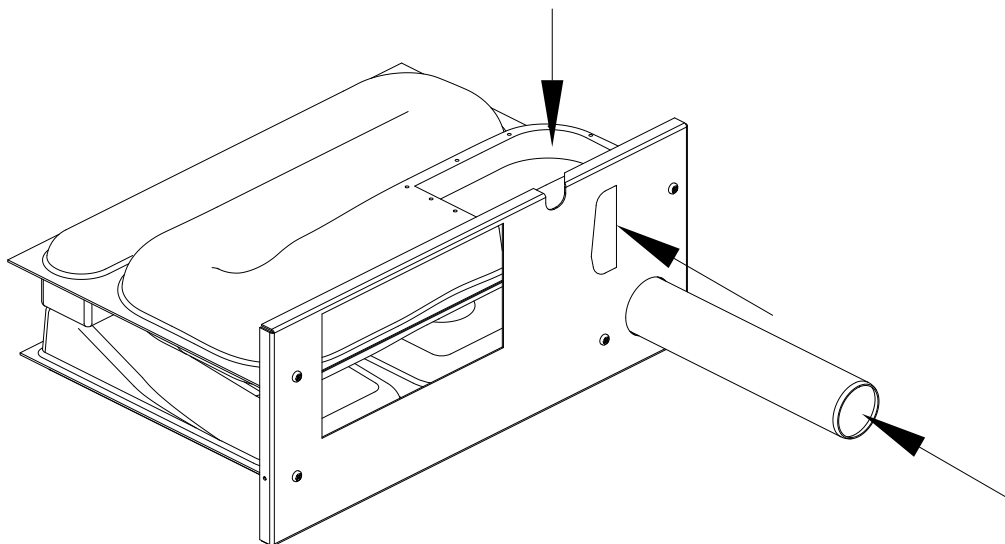


Figure 7



TO CLEAN THE CHAMBER, THE FURNACE MUST BE REMOVED FROM THE CABINET AND THE MANIFOLD. BLOWER ASSEMBLY AND CONTROLS REMOVED LEAVING THE CHAMBER AND FIREWALL ONLY, AS SHOWN. USING COMPRESSED AIR, BLOW THROUGH THE CHAMBER, AS SHOWN BY ARROWS, TO REMOVE SOOT OR LOOSE DEBRIS.

Figure 8

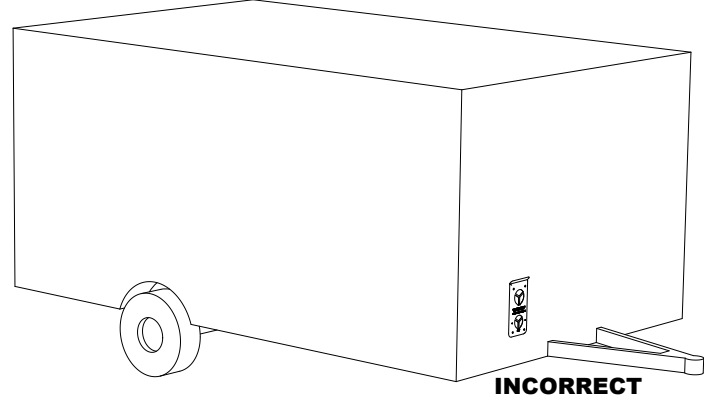
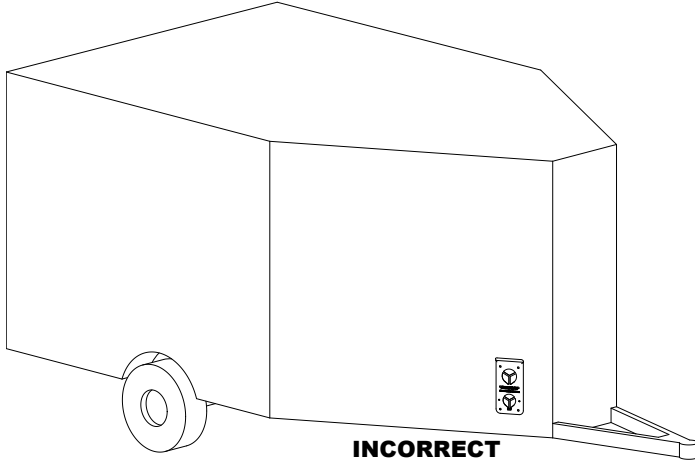


Figure 9

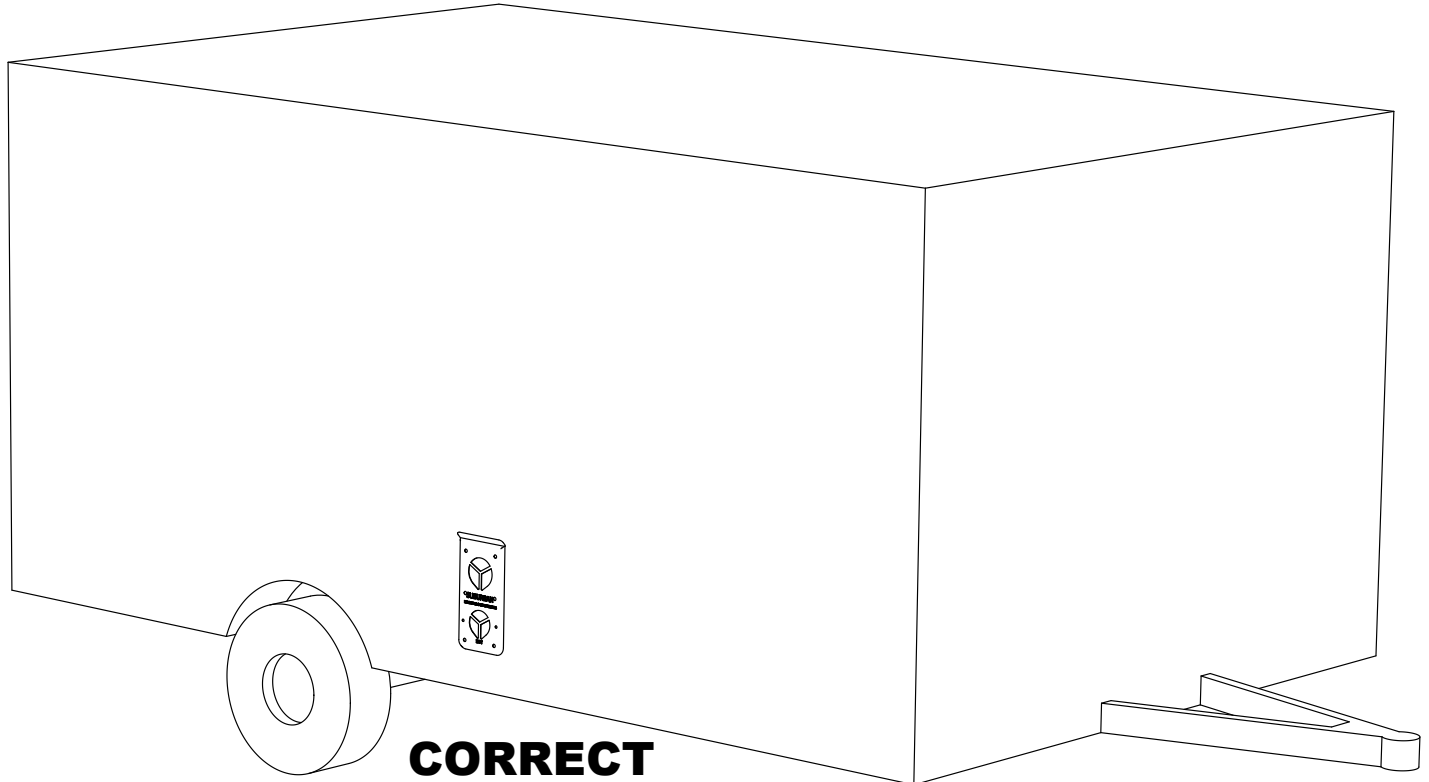


Figure 10

TWO YEAR LIMITED WARRANTY

SUBURBAN RECREATIONAL VEHICLE FURNACE

TWO YEAR LIMITED WARRANTY

This Suburban product is warranted to the original purchaser to be free from defects in material and workmanship under normal use and maintenance for a period of two years from date of purchase whether or not actual use begins on that date. It is the responsibility of the consumer/owner to establish the warranty period. Suburban does not use warranty registration cards for its standard warranty. You are required to furnish proof of purchase date through a Bill of Sale or other payment records.

Suburban will replace any parts that are found defective within the first two years and will pay a warranty service allowance directly to the recommended Suburban Service Center at rates mutually agreed upon between Suburban and its recommended service centers. Replacement parts will be shipped FOB the shipping point within the Continental United States, Alaska and Canada to the recommended service center performing such repairs. All freight, shipping and delivery cost shall be the responsibility of the owner. The exchanged part or unit will be warranted for only the unexpired portion of the original warranty. Before having warranty repairs made, confirm that the service agency is a recommended service center for Suburban. **DO NOT PAY THE SERVICE AGENCY FOR WARRANTY REPAIRS; SUCH PAYMENTS WILL NOT BE REIMBURSED.**

Suburban reserves the right to examine the alleged defect in the furnace or component parts, and it is the owner's obligation to return the furnace and/or component parts to Suburban or its representative. When returning a furnace, it must include all component parts and the serial number plate. Returned component parts must be individually tagged and identified with the furnace's model number, serial number and date of installation.

For warranty service, the owner/user should contact the nearest recommended Suburban Service Center, advising them of the model and serial numbers (located on the furnace) and the nature of the defect. Transportation of the RV to and from the Service Center and/or travel expenses of the Service Center to your location is the responsibility of the owner/user. A current listing of recommended service centers may be obtained from Suburban's website, www.AIRXCEL.com. If you cannot locate a recommended service center locally, the service agency chosen to perform warranty repairs must contact our Service Department at 423-775-2131 for authorization before making repairs. Unauthorized repairs made will not be paid by Suburban.

THREE YEAR LIMITED WARRANTY ON HEAT EXCHANGER

The furnace heat exchanger is further warranted to be free from defects in material and workmanship during the third through fifth year after the date of original purchase. A replacement heat exchanger will be provided under the same conditions as stated in the two year warranty EXCEPT no labor reimbursement will be provided.

LIMITATION OF WARRANTIES

ALL IMPLIED WARRANTIES (INCLUDING IMPLIED WARRANTIES OF MERCHANTABILITY) ARE HEREBY LIMITED IN DURATION TO THE PERIOD FOR WHICH EACH LIMITED WARRANTY IS GIVEN. SOME STATES DO NOT ALLOW LIMITATIONS ON HOW LONG AN IMPLIED WARRANTY LASTS SO THE ABOVE LIMITATIONS MAY NOT APPLY TO YOU. THE EXPRESSED WARRANTIES MADE IN THIS WARRANTY ARE EXCLUSIVE AND MAY NOT BE ALTERED, ENLARGED, OR CHANGED BY ANY DISTRIBUTOR, DEALER OR OTHER PERSON WHOMSOEVER.

SUBURBAN WILL NOT BE RESPONSIBLE FOR:

1. Normal maintenance as outlined in the installation, operating and service instructions owner's manual including cleaning of component parts; such as, orifices and burners.
2. Initial checkouts and subsequent checkouts which indicate the furnace is operating properly, or diagnosis without repair.
3. Damage or repairs required as a consequence of faulty or incorrect installation or application not in conformance with Suburban instructions.
4. Failure to start and/or operate due to loose or disconnected wires; water or dirt in controls, fuel lines and gas tanks; restriction or alteration of return air circulation; low voltage.
5. Routine adjustments that may be required to the thermostat, electrode and burner.
6. Costs incurred in gaining access to the furnace.
7. Parts or accessories not supplied by Suburban.
8. Freight charges incurred from parts replacements.
9. Damage or repairs needed as a consequence of any misapplication, abuse, unreasonable use, unauthorized alteration, improper service, improper operation or failure to provide reasonable and necessary maintenance.
10. Suburban products whose serial number has been altered, defaced or removed.
11. Suburban products installed or warranty claims originating outside the Continental U.S.A., Alaska, Hawaii and Canada.
12. Damage as a result of floods, winds, lightning, accidents, corrosive atmosphere or other conditions beyond the control of Suburban.
13. ANY SPECIAL, INDIRECT OR CONSEQUENTIAL PROPERTY, ECONOMIC OR COMMERCIAL DAMAGE OF ANY NATURE WHATSOEVER.

Some states do not allow the exclusion of incidental or consequential damages, so the above limitation may not apply to you.

NO REPRESENTATIVE, DEALER, RECOMMENDED SERVICE CENTER OR OTHER PERSON IS AUTHORIZED TO ASSUME FOR SUBURBAN MANUFACTURING COMPANY ANY ADDITIONAL, DIFFERENT OR OTHER LIABILITY IN CONNECTION WITH THE SALE OF THIS SUBURBAN PRODUCT.

This warranty gives you specific legal rights, and you may also have other rights which vary from state to state.

IF YOU HAVE A PRODUCT PROBLEM

FIRST:

If your RV has its original furnace and is still under the RV manufacturer's warranty, follow the steps suggested by your dealer or manufacturer of the RV.

SECOND:

Contact a conveniently located recommended Suburban Service Center. Describe to them the nature of your problem, make an appointment, if necessary, and provide for delivery of your RV to the selected service center.

THIRD:

For the location of the nearest service center, refer to the listing provided or contact:

Suburban Manufacturing Company
Customer Service Department
676 Broadway Street
Dayton, Tennessee 37321
(423) 775-2131, Ext. 7101
www.AIRXCEL.com

FOR FUTURE REFERENCE, YOU SHOULD RECORD THE FOLLOWING INFORMATION:

MODEL NUMBER: _____

SERIAL NUMBER: _____

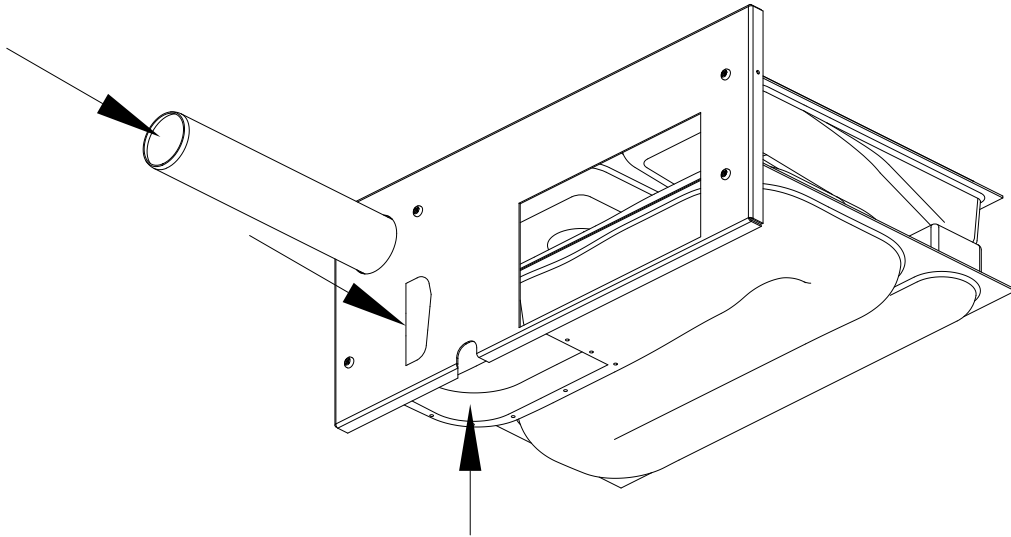
STOCK NUMBER: _____

DATE OF PURCHASE: _____



Pour le nettoyage de la chambre de combustion, on doit retirer l'appareil de la caisse, et retirer également le ventilateur et les organes de commande; il ne doit rester que la chambre de combustion, comme on le voit sur l'illustration. Injecter de l'air comprimé dans la chambre selon les indications des fleches pour expulser la suite et les débris.

Figure 8



INCORRECT

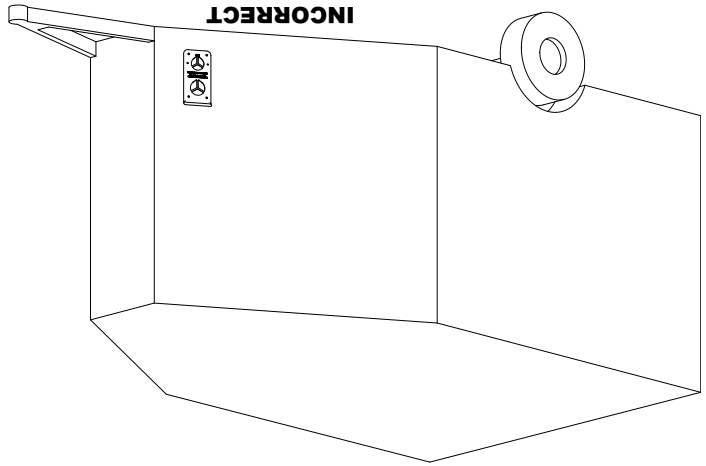
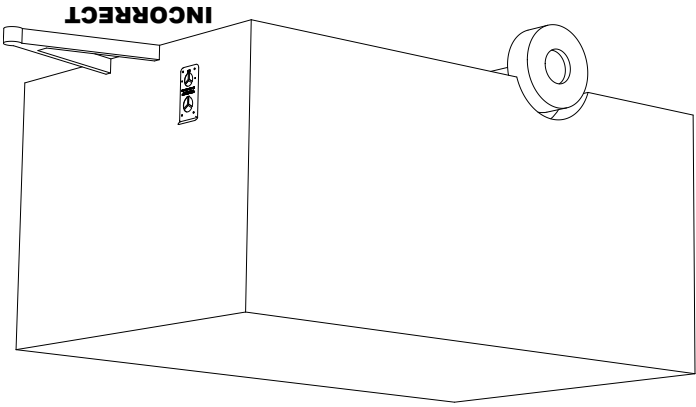


Figure 9

INCORRECT



CORRECT

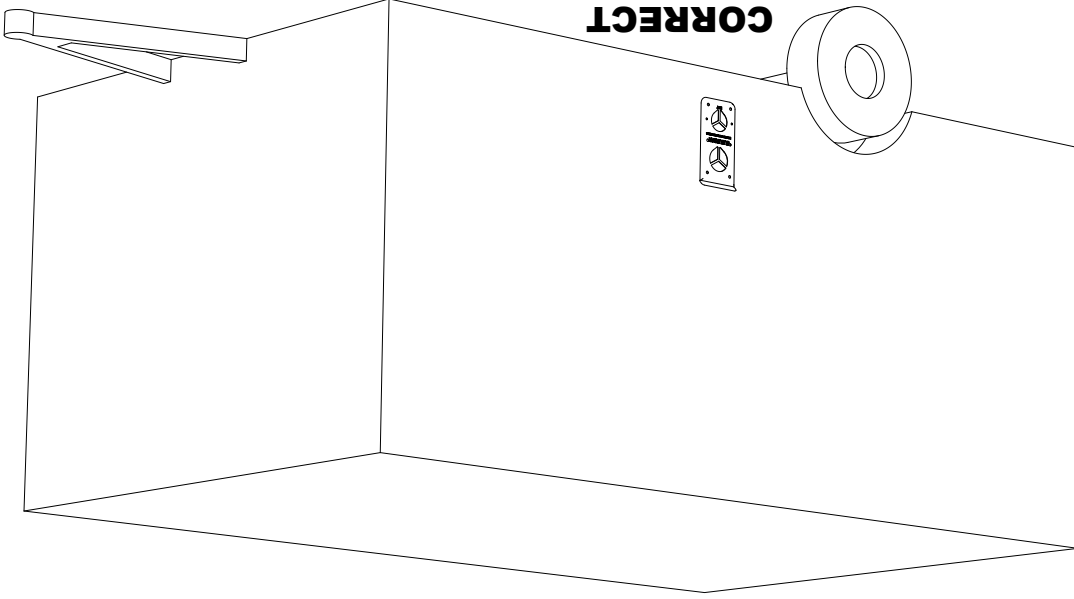
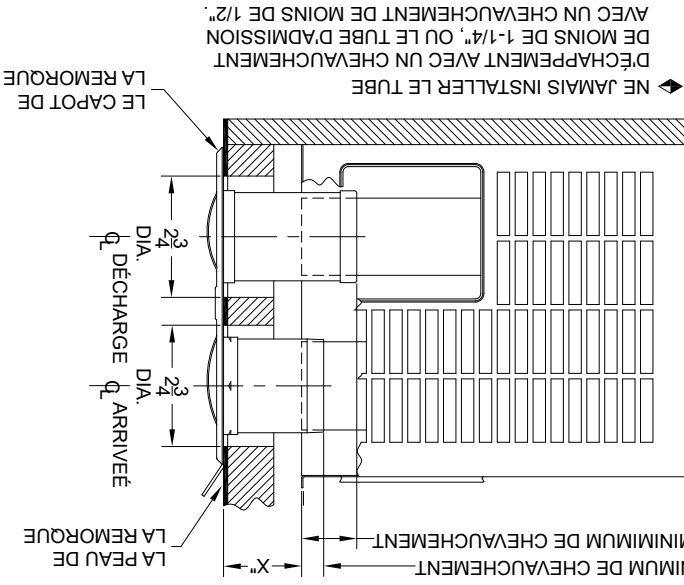


Figure 5

★ ASSEMBLAGE STANDARD DE TUBES D'ARRIVÉE ET DE DÉCHARGE D'AIR FOURNI AVEC L'APPAREIL DE CHAUFFAGE. SI NECESSAIRE, TUBES SPECIAUX D'EXTENSION, DOIVENT ETRE COMMANDES SEPARATEMENT. LES KITS DE TUBES D'EXTENSION SONT FOURNIS AVEC LES INSTRUCTIONS COMPLETES D'INSTALLATION.

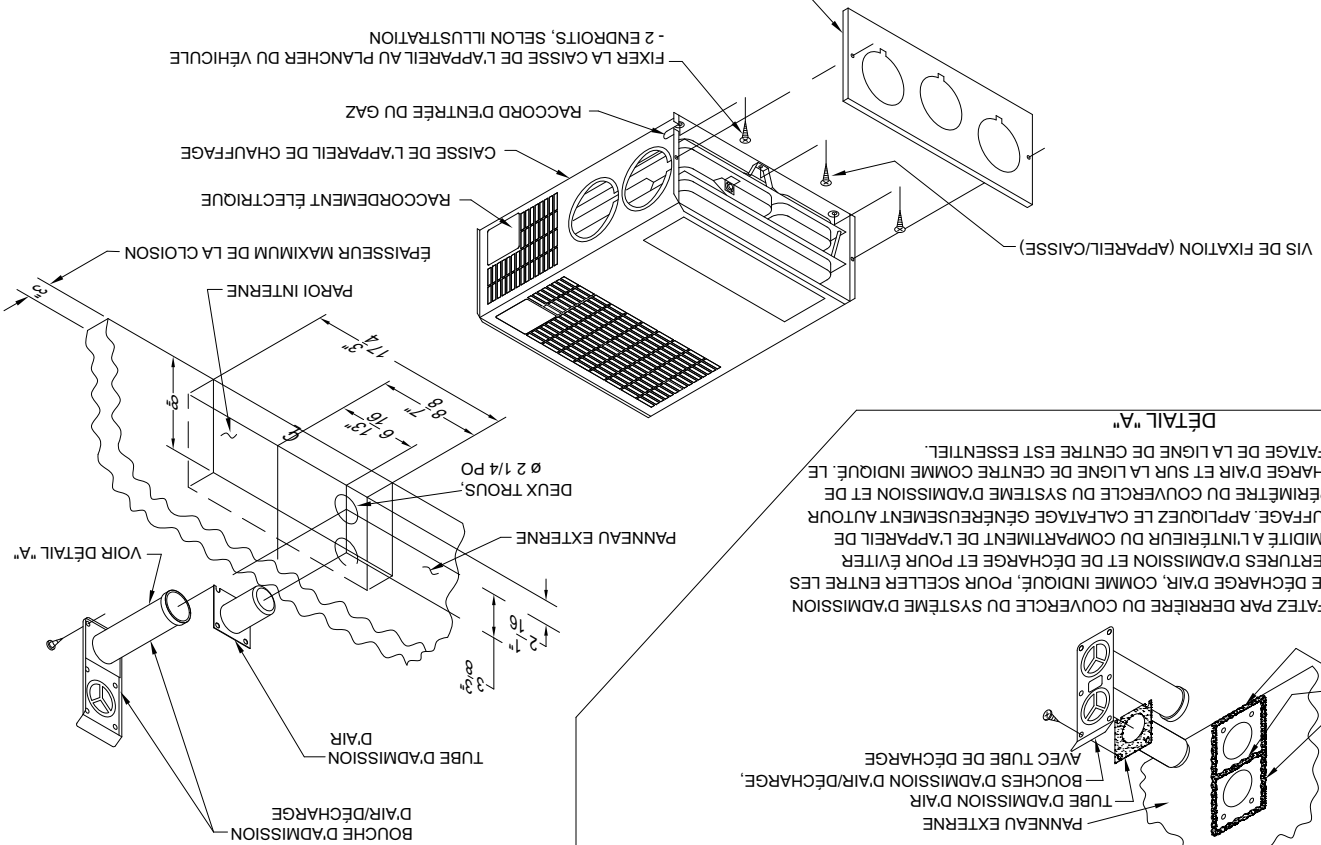
X" DIMENSION	NUMERO DU KIT DE TUBES D'EXTENSION
0" TO 1 1/2"	520767
1 1/2" TO 3"	★ UTILISEZ LES TUBES D'AIR FOURNIS AVEC L'APPAREIL DE CHAUFFAGE
3" TO 4 1/2"	520768
4 1/2" TO 7 1/2"	520968
7 1/2" TO 9"	520551



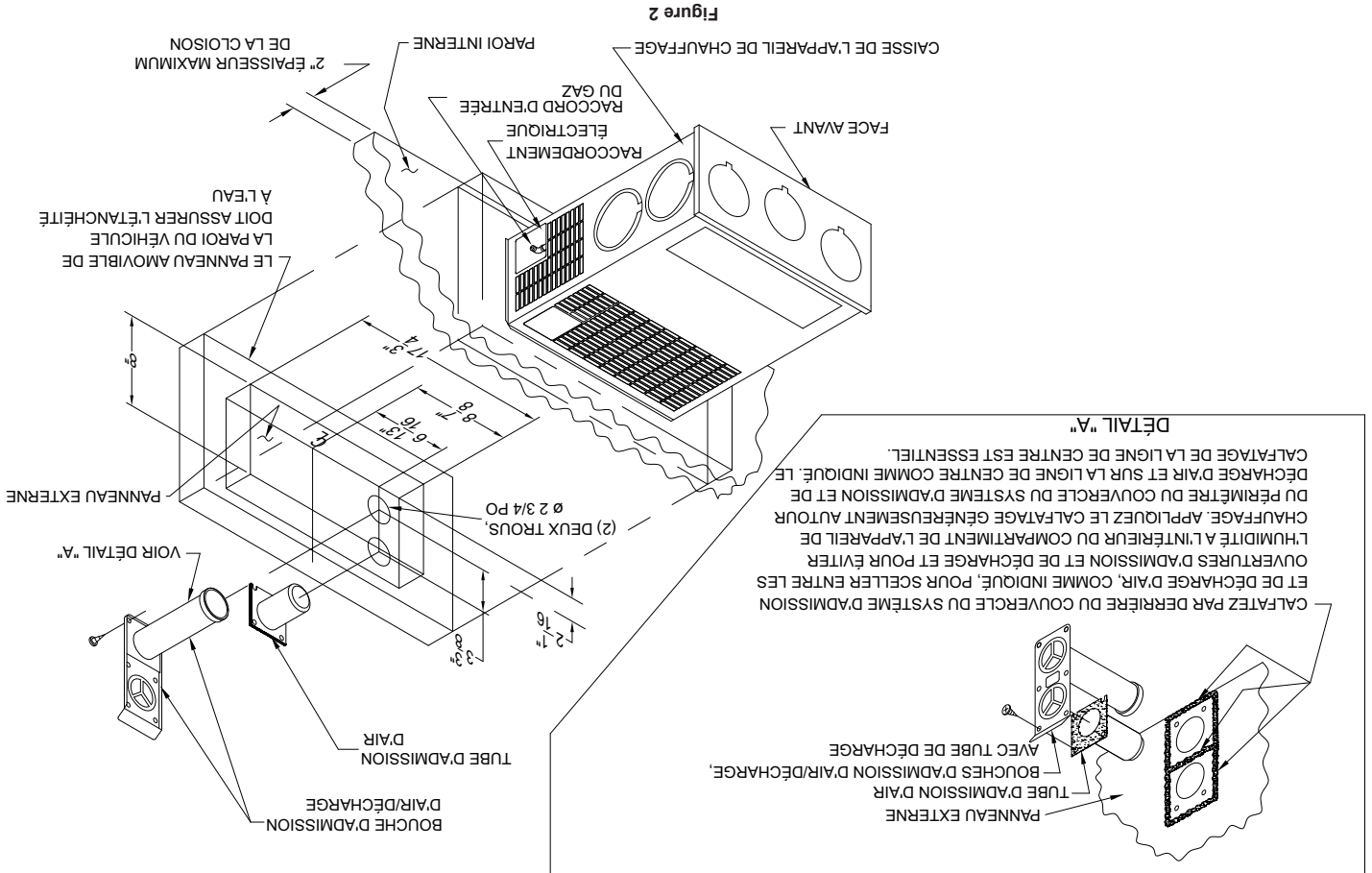
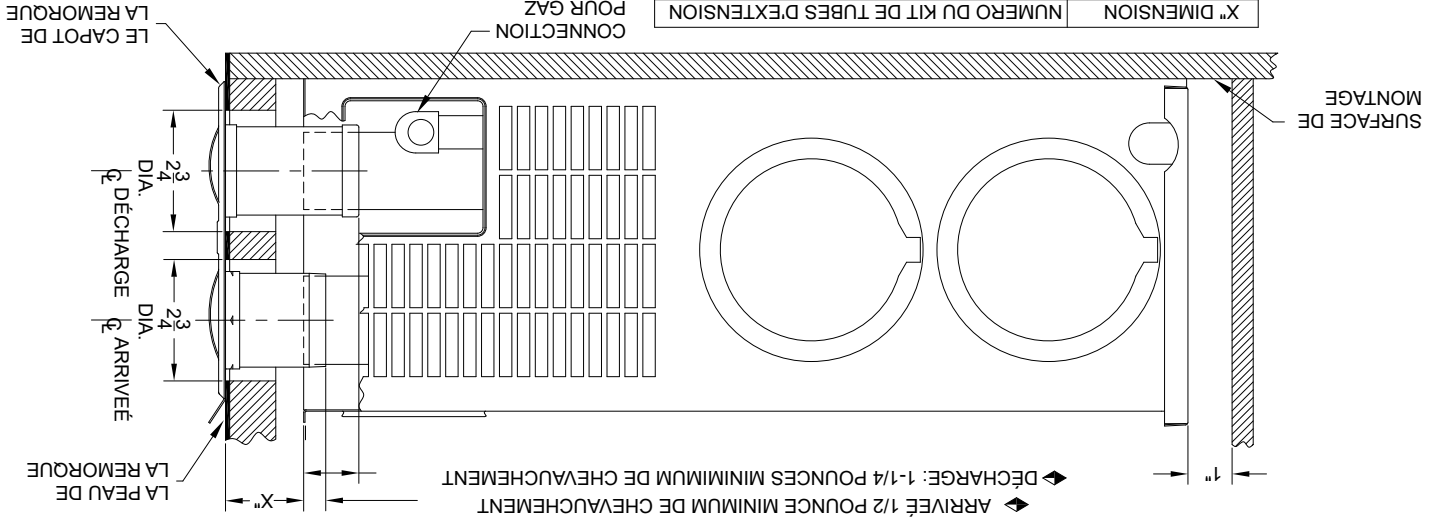
CONNECTION
AVANT POUR
GAS
SURFACE DE
MONTAGE

SF-20FQ, SF-25FQ, SF-30FQ, SF-35FQ, SF-42FQ, INSTALLATION STANDARD DU SYSTÈME D'ARRIVÉE ET DE DÉCHARGE D'AIR

Figure 4



SF-200, 250, 300, 350, 420 INSTALLATION STANDARD DU SYSTÈME D'ARRIVÉE ET DE DÉCHARGE D'AIR



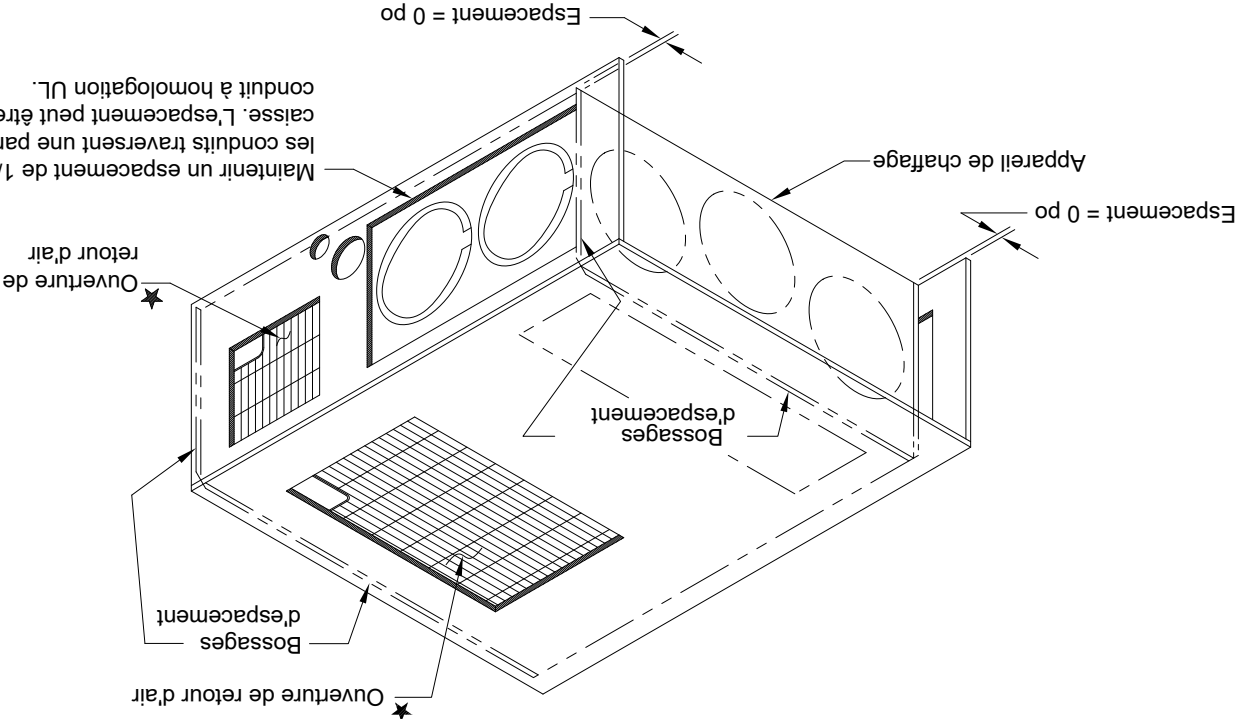
INSTRUCTIONS D'UTILISATION

▲ AVERTISSEMENT

Ne jamais faire fonctionner l'appareil lorsque le véhicule est en mouvement ou remorqué.

REMARQUE: Lors de la première utilisation de l'appareil de chauffage, la combustion de l'excès de peinture et des résidus d'huile provenant du processus de fabrication peut susciter l'émission de fumées pendant 5 à 10 minutes.

1. **ATTENTION!** Lire le manuel d'information de l'utilisateur fourni avec l'appareil. Fermer le robinet d'arrêt de la canalisation de gaz, ou le robinet de la bouteille de propane. Ne pas forcer.
3. Régler le thermostat pour une température supérieure à celle de la pièce pour commander le fonctionnement du ventilateur. Le ventilateur peut se mettre en marche après un certain retard. Laissez le ventilateur fonctionner pendant 5 minutes pour la purge de la chambre de combustion. Si le ventilateur ne s'allume pas ou s'arrête avant le cycle d'allumage, éteindre l'appareil et contacter le revendeur ou un service de réparation local pour véhicule de plaisance.
4. Après 5 minutes, régler le thermostat pour une température inférieure à celle de la pièce. Le ventilateur continue de fonctionner. Le ventilateur devrait s'arrêter après environ 2 minutes.
5. Ouvrir le robinet d'arrêt manuel (si équipé) ou la valve au niveau du réservoir de propane à l'extérieur. Les bonnes caractéristiques de fonctionnement dépendent de la position de la vanne complètement ouverte. Ne jamais essayer de fonctionner avec une vanne partiellement fermée. **REMARQUE:** Cette fournaisse est équipée d'un interrupteur d'arrêt de vanne. Si la fournaisse est démarrée avec l'interrupteur d'arrêt en position «OFF», le moteur de la fournaisse fonctionnera pendant 30 secondes, puis s'éteindra.
6. Pendant cette séquence, aucun gaz ne circulera dans le brûleur et la chaudière sera verrouillée, ce qui obligera l'utilisateur à éteindre le thermostat ou l'alimentation de l'unité pour réinitialiser la fournaisse. Assurez-vous que l'interrupteur d'arrêt est en position «ON» pour un fonctionnement correct.
7. Régler le thermostat pour la température désirée. Si cette température est supérieure à celle de la pièce, le ventilateur se met en marche.
8. Prévoir un délai de 30 secondes pour l'allumage de la flamme du brûleur principal après la mise en marche du ventilateur. Cet appareil est équipé d'un dispositif d'allumage qui commande automatiquement l'allumage du brûleur. Ne pas essayer d'allumer manuellement la flamme du brûleur.
9. Si le brûleur ne s'allume pas, répéter les étapes 1 à 8.
9. Après trois (3) tentatives sans succès, exécuter les instructions d'arrêt de l'appareil, et contacter le concessionnaire, ou un établissement local de service après-vente. Ne pas tenter de commander l'allumage de la flamme en



★ La surface libre totale sans obstruction des ouvertures de retour d'air de l'appareil de chauffage ne doit pas être inférieure au minimum spécifiée à la Table 1.

Figure 1

contrôlant l'appareil au moyen du thermostat. NOTE: Si l'appareil serait bloqué à ce que l'appareil est réallumé par la réactivation du thermostat.

ARRÊT DE L'APPAREIL

1. Régler le thermostat pour la température la plus, puis déplacer paiguille vers la position arrêt.
2. Fermer le robinet d'arrêt manuel (s'il y en a un) de la canalisation de gaz. Ne pas forcer.

PIÈCES ET SERVICE

Contactez idéalement situé au centre de service recommandé Suburban. Décrire les la nature de votre problème, prendre rendez-vous, si nécessaire, et de fournir pour la livraison de votre RV avec l'appareil installé.

Pour obtenir des informations sur la localisation d'un organisme de service local, contactez:

AIRXCEL, Inc., Suburban Division
 Customer Service Department
 676 Broadway Street
 Dayton, TN 37321
 (423) 775-2131 Ext. 7101
 www.AIRXCEL.com

▲ AVERTISSEMENT

Ne pas installer un grillage sur la bouche de décharge, quelle que soit la saison. Un grillage s'encrassera et ceci dégradera la sécurité de fonctionnement. On trouve sur le marché certains accessoires destinés aux véhicules récréatifs, dont nous déconseillons l'emploi. Pour la sécurité des utilisateurs, utiliser avec cet appareil de chauffage uniquement les composants autorisés par l'usine.

▲ AVERTISSEMENT

En cas de chauffage excessif, ou si l'alimentation en gaz n'est pas interrompue, fermer le robinet d'arrêt manuel avant d'interrompre l'alimentation électrique.

1. Inspecter le système de décharge des gaz de combustion. Il faut qu'il n'y ait aucune obstruction ou accumulation de suie et que le conduit se termine correctement dans l'atmosphère. (Voir l'installation des bouches d'admission d'air/décharge)
2. Inspecter tous les joints; remplacer tout joint comportant des indices de fuite ou de la sécurité du fonctionnement.
3. Inspecter les ouvertures de retour de l'air à l'appareil de chauffage. Éliminer toute obstruction entravant la circulation de l'air.
4. L'utilisateur de l'appareil de chauffage devrait inspecter chaque mois pendant la saison de chauffage pour rechercher la présence de suie dans la canalisation de décharge. Le fonctionnement de l'appareil en présence d'une obstruction dans la canalisation de décharge pourrait être la cause de sérieux dommages matériels ou corporals, voir d'un accident mortel. En cas de découverte de suie dans la canalisation de décharge, arrêter immédiatement l'appareil et contacter un établissement de service compétent.

10. Ne jamais tenter de réparer des composants endommagés. On doit toujours les faire remplacer par un personnel de service compétent.
11. Ne jamais tenter de réparer l'appareil de chauffage. Confier ces travaux à un technicien compétent.
12. Ne jamais réduire la taille des conduits installés par le constructeur du véhicule. Ceci susciterait un fonctionnement incorrect de l'appareil.
13. Ne pas incorporer un puitsur d'air dans le conduit. Un tel dispositif susciterait un fonctionnement erratique de l'appareil.
14. Ne pas placer des vêtements ou autres matériaux inflammables sur l'appareil ou à proximité.
15. Respecter toujours strictement les instructions d'utilisation. Aucune déviation n'est permise.

16. Ne pas utiliser cet appareil si un composant quelconque a été immergé dans

17. Lors de la conception d'une pièce supplémentaire, d'un patio, etc., on doit penser à l'évacuation des gaz de combustion de l'appareil de chauffage des four de raisons de sécurité. ne pas terminer le conduit de décharge des gaz de combustion à l'intérieur d'une pièce supplémentaire, d'un patio ou d'un porche grillagé. Dans une telle situation, les produits de combustion pourraient s'introduire dans des pièces ou no us espaces occupés.
18. Si du fait de la configuration ou d'une caractéristique du véhicule récréatif (comme élément coulisant, etc.) la bouche de décharge pourrait être recouverte ou obstruée, régler le thermostat à la position d'arrêt absolu, interrompre l'alimentation électrique et fermer l'arrivée de gaz. NE JAMAIS UTILISER AVEC FOUR VENT COUVERT.

INSTALLATION ET DÉPOSE DE L'APPAREIL INSTALLÉ DEPUIS L'INTÉRIEUR

- DÉPOSE**
1. Déconnecter l'appareil de la source d'alimentation électrique.
 2. Déposer les bouches d'admission d'air/décharge.
 3. Déconnecter la source de gaz.
 4. Déposer l'avant de la caisse (2 vis).
 5. Oter les vis de fixation au centre de l'appareil, et retirer l'appareil de la caisse.

INSTALLATION

1. Insérer l'appareil dans la caisse. **REMARQUE:** Veiller à acheminer correctement le câblage jusqu'à l'arrière de la caisse et à l'extérieur.
2. Réinstallez les vis fixant la chambre à la caisse.
3. Réinstallez le panneau avant de la caisse.
4. Connecter la source de gaz.
5. Inspecter les connexions de la canalisation de gaz. Rechercher les fuites avec une solution savonneuse. Éliminer toute fuite immédiatement.
6. Réinstaller les bouches d'admission d'air/décharge.
7. Reconnecter l'alimentation électrique.

LE PANNEAU ARRIÈRE FACULTATIF EST UTILISÉ

- DÉPOSE**
1. Interrompre l'alimentation électrique.
 2. Déposer les bouches d'admission d'air/décharge.
 3. Déposer le panneau arrière facultatif.
 4. Déconnecter l'appareil de l'alimentation électrique.
 5. Débrancher la fiche d'alimentation électrique du bloc modulaire.
 6. Déconnecter les fils de l'électrode du bloc modulaire.
 7. Oter les deux vis fixant le bloc modulaire et le panneau pare-feu, et retirer l'ensemble. Veiller à ne pas endommager les composants.
- REMARQUE:** On disposera alors de plus d'espace pour raccorder la source de gaz au niveau du raccord de connexion. Il peut être nécessaire d'immobiliser le record de connexion avec une clé pendant la connexion ou la déconnexion de la canalisation de gaz.
8. Oter la canalisation de gaz.
 9. Enlever la vis de fixation à la base du ventilateur et retirer l'appareil de la caisse.

- REINSTALLATION**
1. Insérer l'appareil dans la caisse; réinstaller la vis à la base du ventilateur.
 2. Inspecter les connexions de la canalisation de gaz. Rechercher les fuites avec une solution savonneuse. Éliminer toute fuite immédiatement.
 3. Reconnecter les fils de l'électrode sur le panneau.
 4. Réinstaller le bloc modulaire et le panneau.
 5. Reconnecter l'alimentation électrique sur le panneau.
 6. Reconnecter l'alimentation électrique de l'appareil.
 7. Rétablir l'alimentation électrique de la caisse, on doit veiller à empêcher les fils de venir en contact avec la turbine du ventilateur.
 8. Réinstaller le panneau arrière facultatif.
 9. Réinstaller les bouches d'admission d'air/décharge.
 10. Rétablir l'alimentation électrique de l'appareil de chauffage.

AVERTISSEMENT

Ne jamais utiliser une flamme nue pour rechercher les fuites. Fermer l'arrivée de gaz, et appliquer de l'eau savonneuse sur toutes les jointures pour déterminer si des bulles se forment.

RACCORDEMENT AU RÉSEAU ÉLECTRIQUE

AVERTISSEMENT

Cet appareil de chauffage est conçu pour l'alimentation uniquement par un système à masse négative. Ne jamais tenter de modifier l'appareil pour l'alimentation par un système à masse positive, ni de le connecter directement sur une source 115 V CA. Des composants de l'appareil de chauffage subiraient des dommages. Raccordez uniquement à un circuit protégé à fusible de 20 ampères maximum.

Assurez-vous que tout le câblage de la fournaise a une jauge suffisante pour tenir les chutes de tension au minimum tout en fournissant une alimentation suffisante au moment de l'appel de pointe au moment du démarrage. Il est recommandé d'utiliser un câblage de jauge 12. S'il est nécessaire de remplacer des fils du câblage d'origine de l'appareil, on doit utiliser des fils de câblage pour service à 105°C - ou équivalent. Le raccordement à la source d'électricité doit être effectué sur le côté droit de l'appareil. Respecter le codage de couleur : rouge pour positif(+) et jaune pour négatif(-). On doit respecter cette polarité pour que le moteur de l'appareil tourne dans le sens approprié et puisse faire circuler l'air correctement. (Voir le schéma de câblage.)

Si l'appareil doit être alimenté à partir d'un convertisseur, on recommande que le système de conversion utilisé soit connecté en parallèle avec la batterie. Ceci remplira deux fonctions:

1. Fourniture d'une tension constante à l'appareil de chauffage.
2. Filtrage des surtensions ou tensions CA transitoires.

RACCORDEMENT DES CONDUITS À L'APPAREIL DE CHAUFFAGE

Pour que l'appareil de chauffage fonctionne correctement, on doit respecter les exigences suivantes quant aux conduits:

A. Utiliser uniquement des conduits ayant la taille minimum indiquée ci-dessous, dans la taille du système, y compris au niveau des bouches de décharge d'air chaud.

Modèle	CONDUITS LATÉRAUX		CONDUIT DU SOMMET DU FOND
	Section Libre Minimum	Nombre Min. De Conduits	
SF-200/20FC	25 po ²	4 po	56 po ²
SF-250/25FC	36 po ²	3	56 po ²
SF-300/30FC	36 po ²	3	56 po ²
SF-350/35FC	48 po ²	4 po	72 po ²
SF-420/42FC	48 po ²	4 po	72 po ²

Remarque: L'emploi de l'ensemble <<conduit inférieur>> (pièce N° 520753) nécessaire avec conduit inférieur SF-420.

*** SF-20/25/30Q à trois conduits 4 «trous disponibles hors de l'armoire avant. Ce front ne est pas à être utilisé sur SF-20/25/30Q

B. Aucun registre de sortie ne doit être placé à moins de 18 po de retour d'air. Tout registre installé à 18 po ne doit jamais être réglé de façon à souffler l'air évacué vers l'ouverture de retour d'air. En cas d'installation d'un registre sur une paroi à 90° par rapport au retour d'air, la distance peut être inférieure à 18 po.

C. Veiller à l'étauchéité entre les conduits et la caisse de l'appareil. Des connexions mal ajustées susciteront un échauffement excessif des composants de l'appareil de chauffage et une réduction du débit d'air chauffé à travers les conduits. Éviter de faire des virages serrés dans le système de conduit flexible. Les virages serrés va augmenter la pression statique dans le plénum et pourrait causer le tour à cycle.

E. Évitez de faire beaucoup de tours dans le système de conduit flexible. Le droit de système de conduits, meilleure est la performance du tour.

F. Lorsque vous utilisez un conduit flexible, assurer la conduite est étiré et raccordés en ligne droite. Ne pas utiliser de plus grande longueur de conduit flexible que ce qui est nécessaire pour acheminer directement du tour pour vous inscrire. Ne laissez pas le conduit à plier ni s'accumuler.

G. Lorsque le conduit traverse une paroi de matériaux combustibles, comme le paroi d'un placard du véhicule, maintenir un espacement d'au moins 1/4 po (voir Figure 3). **REMARQUE:** L'espacement peut être nul dans le cas de conduits à homologation UL.

H. Ne pas incorporer un pulvérisateur d'air dans le conduit. Un tel dispositif susciterait un fonctionnement erratique de l'appareil. **REMARQUE:** Lorsque l'installation de l'appareil de chauffage et des conduits est terminée, effectuer les ajustements nécessaires pour que l'augmentation de température produite satisfasse la tolérance indiquée sur la plaque signalétique.

INSTALLATION DU THERMOSTAT

Le thermostat utilisé avec cet appareil ne doit avoir AUCUNE tension de sortie dans la ligne de retour lorsqu'il n'y a aucun appel de chaleur ou que la commande est réglée à « OFF » (arrêt).

Localisez le thermostat d'ambiance environ 4-1 / 2 pieds au-dessus du sol sur une cloison à l'intérieur ou il ne est pas affecté par la chaleur d'une source ne l'air ambiant . Connecter le câblage du thermostat au fil bleu et le fil rayé bleu-blanc (fil rayé bleu-blanc est le pouvoir au thermostat) sur le côté droit du tour. (Voir le schéma de câblage.) Si votre tour est équipé d'un thermostat qui a un antipicrateur réglable, l'antipicrateur devrait être fixé à 0,7 ampères . Si vous désirez plus des cycles de chauffage , réglez l'antipicrateur à un réglage plus élevé. Si vous désirez des cycles de chauffage plus courts , réglez l'antipicrateur sur une valeur inférieure. Ajustements au réglage de l'antipicrateur doivent être effectués en increments de 0,5 ampères .

ENTRETIEN PRÉVENTIF

AVERTISSEMENT

Si l'utilisateur de cet appareil néglige de le maintenir dans les conditions dans lesquelles il avait été expédié de l'usine ou si l'appareil est utilisé intentionnellement dans un but autre que celui pour lequel il a été conçu, ou si l'appareil n'est pas maintenu en état; conséquemment, le risque d'incendie et/ou de production d'oxyde de carbone se fera, ce qui peut causer des blessures personnelles, dommages de propriété ou la perte de vie.

AVERTISSEMENT

Toujours vérifier le bon fonctionnement de la fournaise après l'entretien.

Il est utile que l'appareil de chauffage fasse l'objet d'une inspection par un technicien qualifié chaque année avant la mise en service. On doit accorder une attention particulière aux points suivants:

1. Inspecter l'appareil de chauffage et l'installation des bouches d'admission d'air/décharge; vérifier que l'appareil est bien immobilisé en place (voir les instructions d'installation), que les bouches d'admission d'air/décharge communiquent avec l'atmosphère et qu'il y a un chevauchement approprié au niveau des connexions des tubes (voir l'installation des bouches d'admission d'air/décharge).
2. Inspecter la chambre de combustion et le dispositif d'admission d'air/décharge pour vérifier que ces composants sont en bon état, sans perforation ou corrosion excessive, et que l'installation ou réinstallation a été exécutée en conformité avec les instructions d'installation de Suburban. (Consulter le manuel d'installation fourni avec cet appareil de chauffage.)

AVERTISSEMENT

Il est impératif que les produits de combustion soient convenablement rejetés dans l'atmosphère et que tout l'air utilisé pour la combustion par le brûleur provienne de l'atmosphère extérieure.

Examiner la base sur laquelle l'appareil est installé. Vérifier qu'elle est en bon état physique, sans affaissement, détérioration, etc.
- 4. Inspecter l'appareil, les bouches d'admission d'air/décharge, les conduits d'air chaud et la canalisation de gaz; rechercher les signes évidents de détérioration. Réparer immédiatement toute anomalie.
- 5. Inspecter la chambre de combustion; rechercher les obstructions de l'arrivée d'air ou de la décharge. Il est important qu'il n'y ait aucune obstruction entravant l'arrivée d'air frais ou l'expulsion des gaz de combustion vers l'atmosphère extérieure. Éliminer avec de l'air comprimé toute accumulation de saie ou débris (voir Figure 8.)

AVERTISSEMENT

Ne jamais utiliser une flamme nue pour rechercher les fuites. Fermer l'arrivée de gaz, et appliquer de l'eau savonneuse sur toutes les jointures pour déterminer si des bulles se forment.

RACCORDEMENT AU RÉSEAU ÉLECTRIQUE

AVERTISSEMENT

Cet appareil de chauffage est conçu pour l'alimentation uniquement par un système à masse négative. Ne jamais tenter de modifier l'appareil pour l'alimentation par un système à masse positive, ni de le connecter directement sur une source 115 V CA. Des composants de l'appareil de chauffage subiraient des dommages. Raccordez uniquement à un circuit protégé à fusible de 20 ampères maximum.

Assurez-vous que tout le câblage de la fournaise a une jauge suffisante pour tenir les chutes de tension au minimum tout en fournissant une alimentation suffisante au moment de l'appel de pointe au moment du démarrage. Il est recommandé d'utiliser un câblage de jauge 12. S'il est nécessaire de remplacer des fils du câblage d'origine de l'appareil, on doit utiliser des fils de câblage pour service à 105°C - ou équivalent. Le raccordement à la source d'électricité doit être effectué sur le côté droit de l'appareil. Respecter le codage de couleur : rouge pour positif(+) et jaune pour négatif(-). On doit respecter cette polarité pour que le moteur de l'appareil tourne dans le sens approprié et puisse faire circuler l'air correctement. (Voir le schéma de câblage.)

Si l'appareil doit être alimenté à partir d'un convertisseur, on recommande que le système de conversion utilisé soit connecté en parallèle avec la batterie. Ceci remplira deux fonctions:

1. Fourniture d'une tension constante à l'appareil de chauffage.
2. Filtrage des surtensions ou tensions CA transitoires.

RACCORDEMENT DES CONDUITS À L'APPAREIL DE CHAUFFAGE

Pour que l'appareil de chauffage fonctionne correctement, on doit respecter les exigences suivantes quant aux conduits:

A. Utiliser uniquement des conduits ayant la taille minimum indiquée ci-dessous, dans la taille du système, y compris au niveau des bouches de décharge d'air chaud.

Modèle	CONDUITS LATÉRAUX		CONDUIT DU SOMMET DU FOND
	Section Libre Minimum	Nombre Min. De Conduits	
SF-200/20FC	25 po ²	4 po	56 po ²
SF-250/25FC	36 po ²	3	56 po ²
SF-300/30FC	36 po ²	3	56 po ²
SF-350/35FC	48 po ²	4 po	72 po ²
SF-420/42FC	48 po ²	4 po	72 po ²

Remarque: L'emploi de l'ensemble <<conduit inférieur>> (pièce N° 520753) nécessaire avec conduit inférieur SF-420.

*** SF-20/25/30Q à trois conduits 4 «trous disponibles hors de l'armoire avant. Ce front ne est pas à être utilisé sur SF-20/25/30Q

B. Aucun registre de sortie ne doit être placé à moins de 18 po de retour d'air. Tout registre installé à 18 po ne doit jamais être réglé de façon à souffler l'air évacué vers l'ouverture de retour d'air. En cas d'installation d'un registre sur une paroi à 90° par rapport au retour d'air, la distance peut être inférieure à 18 po.

C. Veiller à l'étauchéité entre les conduits et la caisse de l'appareil. Des connexions mal ajustées susciteront un échauffement excessif des composants de l'appareil de chauffage et une réduction du débit d'air chauffé à travers les conduits. Éviter de faire des virages serrés dans le système de conduit flexible. Les virages serrés va augmenter la pression statique dans le plénum et pourrait causer le tour à cycle.

E. Évitez de faire beaucoup de tours dans le système de conduit flexible. Le droit de système de conduits, meilleure est la performance du tour.

F. Lorsque vous utilisez un conduit flexible, assurer la conduite est étiré et raccordés en ligne droite. Ne pas utiliser de plus grande longueur de conduit flexible que ce qui est nécessaire pour acheminer directement du tour pour vous inscrire. Ne laissez pas le conduit à plier ni s'accumuler.

G. Lorsque le conduit traverse une paroi de matériaux combustibles, comme le paroi d'un placard du véhicule, maintenir un espacement d'au moins 1/4 po (voir Figure 3). **REMARQUE:** L'espacement peut être nul dans le cas de conduits à homologation UL.

H. Ne pas incorporer un pulvérisateur d'air dans le conduit. Un tel dispositif susciterait un fonctionnement erratique de l'appareil. **REMARQUE:** Lorsque l'installation de l'appareil de chauffage et des conduits est terminée, effectuer les ajustements nécessaires pour que l'augmentation de température produite satisfasse la tolérance indiquée sur la plaque signalétique.

INSTALLATION DU THERMOSTAT

Le thermostat utilisé avec cet appareil ne doit avoir AUCUNE tension de sortie dans la ligne de retour lorsqu'il n'y a aucun appel de chaleur ou que la commande est réglée à « OFF » (arrêt).

Localisez le thermostat d'ambiance environ 4-1 / 2 pieds au-dessus du sol sur une cloison à l'intérieur ou il ne est pas affecté par la chaleur d'une source ne l'air ambiant . Connecter le câblage du thermostat au fil bleu et le fil rayé bleu-blanc (fil rayé bleu-blanc est le pouvoir au thermostat) sur le côté droit du tour. (Voir le schéma de câblage.) Si votre tour est équipé d'un thermostat qui a un antipicrateur réglable, l'antipicrateur devrait être fixé à 0,7 ampères . Si vous désirez plus des cycles de chauffage , réglez l'antipicrateur à un réglage plus élevé. Si vous désirez des cycles de chauffage plus courts , réglez l'antipicrateur sur une valeur inférieure. Ajustements au réglage de l'antipicrateur doivent être effectués en increments de 0,5 ampères .

ENTRETIEN PRÉVENTIF

AVERTISSEMENT

Si l'utilisateur de cet appareil néglige de le maintenir dans les conditions dans lesquelles il avait été expédié de l'usine ou si l'appareil est utilisé intentionnellement dans un but autre que celui pour lequel il a été conçu, ou si l'appareil n'est pas maintenu en état; conséquemment, le risque d'incendie et/ou de production d'oxyde de carbone se fera, ce qui peut causer des blessures personnelles, dommages de propriété ou la perte de vie.

AVERTISSEMENT

Toujours vérifier le bon fonctionnement de la fournaise après l'entretien.

Il est utile que l'appareil de chauffage fasse l'objet d'une inspection par un technicien qualifié chaque année avant la mise en service. On doit accorder une attention particulière aux points suivants:

1. Inspecter l'appareil de chauffage et l'installation des bouches d'admission d'air/décharge; vérifier que l'appareil est bien immobilisé en place (voir les instructions d'installation), que les bouches d'admission d'air/décharge communiquent avec l'atmosphère et qu'il y a un chevauchement approprié au niveau des connexions des tubes (voir l'installation des bouches d'admission d'air/décharge).
2. Inspecter la chambre de combustion et le dispositif d'admission d'air/décharge pour vérifier que ces composants sont en bon état, sans perforation ou corrosion excessive, et que l'installation ou réinstallation a été exécutée en conformité avec les instructions d'installation de Suburban. (Consulter le manuel d'installation fourni avec cet appareil de chauffage.)

AVERTISSEMENT

Il est impératif que les produits de combustion soient convenablement rejetés dans l'atmosphère et que tout l'air utilisé pour la combustion par le brûleur provienne de l'atmosphère extérieure.

Examiner la base sur laquelle l'appareil est installé. Vérifier qu'elle est en bon état physique, sans affaissement, détérioration, etc.
- 4. Inspecter l'appareil, les bouches d'admission d'air/décharge, les conduits d'air chaud et la canalisation de gaz; rechercher les signes évidents de détérioration. Réparer immédiatement toute anomalie.
- 5. Inspecter la chambre de combustion; rechercher les obstructions de l'arrivée d'air ou de la décharge. Il est important qu'il n'y ait aucune obstruction entravant l'arrivée d'air frais ou l'expulsion des gaz de combustion vers l'atmosphère extérieure. Éliminer avec de l'air comprimé toute accumulation de saie ou débris (voir Figure 8.)

2. Choisir un emplacement d'installation où il n'y aura pas de fils, tuyaux, etc.

des dégagements de sécurité/séparation des matières combustibles, indiquées à la Table 2. Voir également l'illustration à la Figure 1.

3. Lorsqu'un appareil est installé directement sur une moquette, une tulle ou un autre matériau combustible autre qu'un plancher de bois, l'appareil doit être installé sur un panneau de métal ou de bois qui couvre toute la largeur et la profondeur de l'appareil. Si vous préférez, la moquette, les carreaux ou les matériaux combustibles, autres que le bois, peuvent être découpés sur toute la longueur et la profondeur de l'appareil, plus les dégagements minimaux de l'appareil aux combustibles. (Voir le tableau 2.)

4. Ouvrez le couvercle de l'appareil à travers la paroi interne de la cabine et la paroi extérieure (peau) du véhicule.

5. Calfeutrer sans parcimonie autour de l'ouverture (voir l'illustration). La fonction de calfeutrage est d'assurer l'étanchéité entre la paroi externe du véhicule et la face arrière du cadre de la porte.

6. Fixez le cadre à la paroi extérieure (peau) à travers les trous dans le cadre. Les vis doivent être utilisées. (Voir Figure 6.) **REMARQUE:** Ne placez pas de vis dans les trous requis pour le montage de la porte.

7. Faire glisser l'appareil pour le mettre en place. La face arrière de l'appareil de chauffage doit être installée en contact avec (ou aussi près que possible) le cadre de la porte (voir l'illustration). L'appareil doit maintenir un chevauchement de 1/2 po avec la bouche d'admission d'air et un chevauchement de 1/4 po avec la bouche de décharge.

8. Fixer l'appareil de chauffage au plancher en utilisant les deux (2) trous prévus avec la bouche de décharge.

9. Glissez l'appareil de chauffage dans la caisse. Assurez-vous que l'appareil est bien fixé dans la caisse. (Voir Figure 6.)

10. Positionnez la porte d'accès au four sur le cadre. Fixez la porte à la peau de l'entranneur. Assurez-vous que la peau de l'autocor est suffisamment solide pour maintenir la porte d'accès au four en place et assurer une étanchéité parfaite. Il peut être nécessaire de construire un cadre en bois ou en métal autour de l'ouverture afin de fournir une résistance suffisante pour sécuriser la porte.

▲ MISE EN GARDE

Les vis fournis avec la porte peuvent ne pas être de la longueur et dimension nécessaires pour toutes les demandes et il peut être nécessaire pour l'installateur de substituer les vis afin de fixer adéquatement la porte d'accès de l'appareil de chauffage.

11. Installer les bouches de décharge et d'admission d'air. (Voir les instructions d'installation.)

Modèle	Avant	Gauche	Côté Droit	Sommité	Fond	Arrière	REMARQUE			
							0 PO = AUCUN OSSAGE D'ESPACEMENT ET ESPACEMENT ENTRE CONDUITS ET MATÉRIAUX COMBUSTIBLES: 1/4 PO (Voir Figure 1)			
SF-20Q/20FC	1 po	0 po	0 po	0 po	0 po	0 po	3/8 po			
SF-25Q/25FC	1 po	0 po	0 po	0 po	0 po	0 po	3/8 po			
SF-30Q/30FC	1 po	0 po	0 po	0 po	0 po	0 po	3/8 po			
SF-35Q/35FC	1 po	0 po	0 po	0 po	0 po	0 po	3/8 po			
SF-42Q/42FC	1 po	2 po	2 po	1 po	0 po	0 po	0 po	3/8 po		

Table 2

INSTALLATION DU CONDUIT D'ÉVACUATION

Le circuit d'évacuation doit être installé de telle manière que la bouche de décharge se trouve dans la même zone de pression atmosphérique que la prise d'air de combustion. Les tubes de déchargement et d'admission d'air doivent être installés depuis l'extérieur, et traverser la paroi du VR, pour atteindre les bouches d'admission et d'évacuation de l'appareil de chauffage.

▲ AVERTISSEMENT

Jeter l'emballage du ventilateur fourni avec la fourniture. L'assemblage du ventilateur fourni avec la trousse de montage doit être utilisé. Suburban recommande que tous les ventilateurs soient installés avec le bouclier anti-pluie fourni (voir figure 1; détail <<A>>). Ne pas modifier le système d'évacuation fourni avec cet appareil de chauffage. Toute modification provoquera une déficience de l'installation pouvant susciter un fonctionnement dangereux de l'appareil.

▲ MISE EN GARDE

On ne doit pas prélever l'air de combustion dans l'espace de séjour. Tout l'air de combustion doit provenir de l'atmosphère extérieure. Tout gaz de combustion doit être rejeté dans l'atmosphère extérieure - et jamais à l'intérieur du VR. Par conséquent il est essentiel d'installer convenablement les conduits d'admission d'air et d'évacuation.

RACCORDEMENT À LA SOURCE DE GAZ

▲ MISE EN GARDE

Cette fourniture a été expédiée en usine pour que la connexion de gaz soit faite soit à l'arrière droit de l'unité, tel qu'illustré à la figure 3, soit à l'avant droit de l'unité, tel qu'illustré à la figure 5. Si vous souhaitez raccorder le gaz à travers le haut de l'armoire, vous devez retirer la fourniture du cabinet et tourner le raccord d'entrée de gaz à 90 ° dans le sens des aiguilles d'une montre. NE TOURNEZ PAS LE RACCORD DANS LE SENS ANTIHORAIRE, cela entraînera un desserrage du raccord et une fuite de gaz. Pour le raccordement au gaz avant, le raccord évasé doit être installé avec un produit d'étanchéité approuvé pour le propane.

▲ AVERTISSEMENT

Lors de la rotation du coude, tenir fermement la tubulure de distribution pour éviter d'exercer une force sur le robinet et pour empêcher l'appartition d'une fuite. Veiller à inspecter tous les raccords pour rechercher les fuites, y compris les entrées et sorties de la vanne, avant de réinstaller l'appareil de chauffage dans la caisse. Éliminer immédiatement toute fuite. **REMARQUE:** Pour une recherche efficace des fuites, il faut que l'appareil de chauffage soit en marche.

Raccorder la source de gaz à l'appareil de chauffage au niveau de la tubulure d'alimentation, conformément aux suggestions ci-dessous. Il sera nécessaire de maintenir le raccord évasé sur la tubulure d'alimentation de l'appareil lors des opérations de connexion ou des connexions.

REMARQUE: Le composé d'étanchéité utilisé sur le filetage des jointures doit être appliqué à la source de gaz à l'appareil de chauffage au niveau de la tubulure d'alimentation, conformément aux suggestions ci-dessous. Il sera nécessaire de maintenir le raccord évasé sur la tubulure d'alimentation de l'appareil lors des opérations de connexion ou des connexions.

REMARQUE: À l'occasion de tout test de pressurisation du système à une pression de test supérieure à 1/2 lb/po²rel., on doit déconnecter l'appareil de la source de gaz.

Lors de tout test de pressurisation de la canalisation de gaz à une pression de test égale ou inférieure à 1/2 lb/po²rel., on doit isoler l'appareil de la source de gaz.

1. Un raccord mâle 3/8 po est fourni pour le raccordement à la canalisation de gaz. Certains codes peuvent nécessiter l'installation d'un robinet d'arrêt manuel dans la canalisation de gaz à l'extérieur de l'appareil de chauffage.

2. Une connexion évasée mâle de 3/8 "est fournie pour le branchement de la conduite de gaz. Certains normes peuvent exiger l'utilisation d'une vanne d'arrêt manuel dans la conduite de gaz extérieure à l'armoire de la fourniture. Pour le raccordement au gaz avant, une connexion évasée doit être installée en utilisant un composé d'étanchéité approuvé pour l'utilisation avec du propane.

3. Après avoir raccordé l'appareil à la source de gaz, inspecter toutes les jointures pour rechercher des fuites.

REMARQUE: On doit installer ces appareils de chauffage et les relier à l'atmosphère de la manière décrite dans ce manuel, afin que la dépression suscitée par le ventilateur de circulation de l'air (air de retour) ne puisse affecter l'admission d'air ou l'évacuation des gaz de combustion de tout autre appareil. Il est impératif que les produits de combustion soient rejetés dans l'atmosphère d'une manière appropriée et que tout air racheminé à l'appareil pour la combustion soit prélevé dans l'atmosphère extérieure. (Voir l'installation du système d'admission d'air et d'évacuation des gaz de combustion.)

IMPORTANT

Si cet appareil de chauffage doit être raccordé à un circuit de conduits qui dessert également un appareil de climatisation, on doit installer un volet à manoeuvre manuelle ou automatique destiné à empêcher l'air refroidi de se diriger vers l'appareil de chauffage. Le passage d'air refroidi dans la chambre de combustion de l'appareil de chauffage alors que le climatiseur fonctionne suscite une condensation d'eau dans la chambre de combustion; cette condensation peut favoriser la corrosion et conduire à une défaillance prématurée de la chambre de combustion de l'appareil de chauffage.

REMARQUE: Lors de l'installation de l'appareil de chauffage, on doit veiller à protéger les composants électriques contre l'eau.

La conception de ces appareils de chauffage est homologuée pour l'alimentation au gaz propane seulement. Ne pas tenter de convertir l'appareil pour l'alimentation au gaz naturel.

Pression d'admission du gaz, aux fins du réglage de l'alimentation:
Minimum - 11 po H₂O
Maximum - 13 po H₂O

Aux U.S.A., on doit installer l'appareil en conformité avec les prescriptions des codes et règlements locaux; en l'absence de tels codes ou règlements, consulter l'édition la plus récente de:

- 1 Normes NFPA 1192 - Véhicules récréatifs.
- 2 Code ANSI Z223.1 / NFPA 54 National Fuel Gas Code.
- 3 L'appareil doit être relié électriquement à la masse conformément aux prescriptions de l'édition la plus récente du Code national des installations électriques, NFPA 70.

Au Canada, l'appareil de chauffage doit être installé en conformité avec les prescriptions de:

- 1 Normes CSA Z240.0, 2-08 - Véhicules récréatifs.
- 2 Normes Z240.6, 2-08/C22.2 No. 148-08 - Installation électrique des véhicules récréatifs.
- 3 Normes Z240.4, 2-08 - Installation des équipements et appareils à propane dans les véhicules récréatifs.
- 4 Code d'installation CAN/CGA-B-149 des véhicules récréatifs.
- 5 Tout code ou règlement local applicable.

Cet appareil est muni d'un dispositif d'allumage électrique suscitant une demande de courant de 0,1 A, sous 12 V CC.

⚠ AVERTISSEMENT

Ne pas prolonger le système d'évacuation. Une prolongation du conduit d'évacuation peut affecter la sécurité du fonctionnement de l'appareil.

Il ya trois (3) des méthodes communes décrites ci-dessous pour l'installation du four. Indépendamment de la méthode (voir les sections A, B, ou C, ci-dessous) que vous choisissez, nous avons besoin d'une ouverture fournie à l'extérieur de la remorque ou camping gratuit, retrait dégagée du four. Ce panneau amovible extérieur ou section de mur de la maison de la remorque ou le moteur doit être d'un minimum de 17-3/4 X 8.

ALIMENTATION EN AIR	
Taille minimum de l'ouverture libre d'arrivée d'air	
Modèle	SF-20/25/30Q SF-20FO/25FO/30FO
	SF-35Q/35FO
	SF-42Q/42FO

Table 1

REMARQUE: L'air de retour doit provenir de l'intérieur de l'espace de séjour du véhicule.

REMARQUE: pour un VR comportant une cloison de séparation d'un espace de fret (boîte à jouets) pour le transport de véhicules à moteur à combustion interne, il ne doit pas y avoir d'ouverture de retour d'air depuis cette zone.

3

A. INSTALLATION DIRECTEMENT CONTRE UN PANNEAU EXTÉRIEUR DU VÉHICULE (voir Figure 2) (Panneau fourni par l'installateur)

1. Installer l'appareil de chauffage au voisinage du centre de la plus grande dimension du véhicule.
2. Choisir l'emplacement de l'axe des bouches de décharge et d'admission d'air.

Perçer deux trous de diamètre 2 1/4 po à travers le panneau externe du véhicule. (Voir Figure 2, 4.)
Mettre l'appareil en place; veiller à ce que l'arrière de la caisse de l'appareil soit aussi près que c'est possible du panneau externe du véhicule, tout en permettant le chevauchement convenable des tubes des bouches de décharge et d'admission d'air. (Voir l'installation des bouches de décharge et d'admission d'air.)
Fixer l'appareil de chauffage au plancher en utilisant les deux (2) trous prévus à cet effet dans le bâti de l'appareil. (Voir Figure 6.)
Glissez l'appareil de chauffage dans la caisse. Assurez vous que l'appareil est bien fixé dans la caisse. (Voir Figure 6.)
Installer les bouches de décharge et d'admission d'air. (Voir les instructions d'installation.)

B. INSTALLATION PAS CONTRE LE PANNEAU EXTÉRIEUR OU LA PAROI EXTÉRIÈRE, ET DIMENSION "X" SUPÉRIEURE À 1,5PO

1. Installer l'appareil de chauffage au voisinage du centre de la plus grande dimension du véhicule.
2. Choisissez un emplacement pour l'installation à l'écart des câbles, tuyaux, etc., entre l'armoire et la construction combustible indiquées dans le tableau 2. Reportez-vous à la figure 1 pour voir les dégagements de la fournaise.

Lorsqu'un appareil est installé directement sur une moquette, une tulle ou un autre matériau combustible autre qu'un plancher de bois, l'appareil doit être installé sur un panneau de métal ou de bois qui couvre toute la largeur et la profondeur de l'appareil. Si vous préférez, la moquette, les carreaux ou les matériaux combustibles, autres que le bois, peuvent être découpés sur toute la longueur et la profondeur de l'appareil, plus les dégagements minimaux de l'appareil aux combustibles. (Voir le tableau 2.)
Déterminez la dimension "X" comme indiqué dans la Figure 3 et 5. Les tubes fournis avec l'appareil conviendront pour une distance de "X", mesurant 0 à 1 1/2 pouces. Si la distance "X" plus que 1 1/2 pouces, les tubes spéciaux, comme indiqué dans le tableau de la figures 3 et 5, doivent être commandés.

⚠ AVERTISSEMENT

Ne pas altérer, couper ou modifier en aucune manière les tubes fournis par Suburban. Le faire pourrait résulter en une arrivée d'air de combustion inadéquate ou en une mauvaise décharge d'air de l'appareil.

1. Après avoir déterminé la dimension "X", finissez l'installation de l'appareil de la manière suivante:
6. Choisir l'emplacement de l'axe des bouches de décharge et d'admission d'air. Percer deux trous de 2,75 po dans le panneau extérieur ou la paroi externe. (Voir la Figures 2 et 4.)
7. Mettre l'appareil en place; veiller à ce que l'arrière de la caisse de l'appareil soit aussi près que c'est possible de la paroi interne du véhicule, tout en permettant le chevauchement convenable des tubes des bouches de décharge et d'admission d'air. (Voir l'installation des bouches de décharge et d'admission d'air.)
9. Fixer l'appareil de chauffage au plancher en utilisant les deux (2) trous prévus à cet effet dans le bâti de l'appareil. (Voir Figure 6.)
Glissez l'appareil de chauffage dans la caisse. Assurez vous que l'appareil est bien fixé dans la caisse. (Voir Figure 6.)
Installer les bouches de décharge et d'admission d'air. (Voir les instructions d'installation.)

C. INSTALLATION AVEC UTILISATION DE LA PORTE D'ACCÈS FURNIE PAR SUBURBAN (VOIR FIGURE 4)

1. Installer l'appareil de chauffage au voisinage du centre de la plus grande dimension du véhicule.

▲ AVERTISSEMENT

DANGER D'EMPOISONNEMENT AU MONOXYDE DE CARBONE

Le non-respect des instructions peut entraîner des blessures graves ou la mort par intoxication au monoxyde de carbone si des produits de combustion s'infiltrent dans le bâtiment. Vérifiez que toutes les ouvertures dans le mur extérieur autour du (des) conduit (s) d'évent (et d'entrée d'air) sont scellées pour empêcher l'infiltration des produits de combustion dans le bâtiment. Vérifiez que la (les) prise (s) d'évent (et d'entrée d'air) de la fournaise ne sont pas obstruées de quelque façon que ce soit pendant toutes les saisons.

▲ POUR VOTRE SÉCURITÉ

NE PAS REMISER OU UTILISER DE L'ESSENCE OU D'AUTRES PRODUITS LIQUIDES OU GAZEUX INFLAMMABLES À PROXIMITÉ DE CET APPAREIL OU D'UN AUTRE APPAREIL.

▲ AVERTISSEMENT

Toute déficience dans les opérations d'installation, réglage, modification, réparation ou entretien peut être la cause de dommages matériels ou corporels, voire d'un accident mortel. Consulter les instructions d'installation et/ou le manuel d'utilisation fournis avec cet appareil. Les opérations d'installation et de réparations doivent être exécutées par un installateur compétent ou le personnel d'un établissement de service ou du fournisseur de gaz.

▲ AVERTISSEMENT

Veuillez à ce que cet appareil de chauffage et tout système d'allumage soient arrêtés lors du remplissage d'un réservoir de carburant ou combustible, de même que lorsque le véhicule est en mouvement ou remorqué.

▲ AVERTISSEMENT

INSTRUCTIONS D'INSTALLATION

L'installation de cet appareil doit être exécutée en accordance avec les instructions écrites fournies dans le manuel. Aucun agent-représentant ou employé de Suburban ou autre personne, n'a l'autorité pour changer, modifier ou déroger le contenu des instructions fournies dans ce manuel.

▲ MISE EN GARDE

Si c'est possible, ne pas installer l'appareil de chauffage dans une configuration telle que la bouche de décharge pourrait être recouverte ou obstruée lors de l'ouverture d'une porte du véhicule. Si ceci n'est pas possible, on doit limiter le mouvement d'ouverture de la porte afin qu'il y ait un espacement libre de sécurité d'au moins 6 po entre la bouche de décharge de l'appareil de chauffage et toute porte lorsque la porte est ouverte.

NOTE: La température de l'échappement de cet appareil de chauffage peut décolorer ou déformer certains matériaux. Vérifiez toujours que le matériau utilisé pour la porte du véhicule, panneau ou le couvercle ne décolorera pas à cause de la température de l'échappement de l'appareil de chauffage quand une porte, un panneau, ou un couvercle est dans la position ouverte.

▲ MISE EN GARDE

Du fait des différences entre les divers parements de vinyle, ne pas installer cet appareil sur un parement de vinyle avant d'avoir d'abord consulté le fabricant du parement, ou découpé le parement au voisinage de la bouche de décharge de l'appareil.

Si du fait de la configuration ou d'une caractéristique du véhicule récréatif (comme élément couissant, etc) la bouche de décharge pourrait être recouverte ou obstruée, régler le thermostat à la position d'arrêt absolu, interrompre l'alimentation électrique et fermer l'arrivée de gaz. NE JAMAIS FAIRE FONCTIONNER L'APPAREIL LORSQUE LA BOUCHE DE DÉCHARGE EST OBSTRUÉE OU RECOUVERTE.

Cette fournaise a été expédiée en usine pour que la connexion de gaz soit faite soit à l'arrière droit de l'unité, tel qu'illustré à la figure 3, soit à l'avant droit de l'unité, tel qu'illustré à la figure 5. Si vous souhaitez raccorder le gaz à travers le haut de l'armoire, vous devez retirer la fournaise du cabinet et tourner le raccord d'entrée de gaz à 90 ° dans le sens des aiguilles d'une montre. NE TOURNÉZ PAS LE RACCORD DANS LE SENS ANTIHORAIRE, cela entraînera un desserrage du raccord et une fuite de gaz. Pour le raccordement au gaz avant, le raccord évasé doit être installé avec un produit d'étanchéité approuvé pour le propane.

▲ AVERTISSEMENT

Lors de la rotation du coude, tenir fermement la tubulure de distribution pour éviter d'exercer une force sur le robinet et pour empêcher l'apparition d'une fuite. Veiller à inspecter tous les raccords pour rechercher les fuites, y compris les entrées et sorties de la vanne, avant de réinstaller l'appareil de chauffage dans la caisse. Éliminer immédiatement toute fuite. REMARQUE: Pour une recherche efficace des fuites, il faut que l'appareil de chauffage soit en marche.

CES APPAREILS DE CHAUFFAGE SONT CONÇUS ET INSTALLÉS D'UNE MANIÈRE TELLE QU'ON NE PUISSE ENLEVER L'APPAREIL QUE DEPUIS L'EXTÉRIEUR DU VÉHICULE RÉCRÉATIF.
SI L'APPAREIL DOIT ÊTRE INSTALLÉ À LA VERTICALE, VOUS DEVEZ UTILISER LE KIT # 520965 (INSTRUCTIONS D'INSTALLATION SONT INCLUS DANS LE KIT).

fournisseur de gaz.

— L'installation et l'entretien doivent être assurés par un installateur ou un service d'entretien qualifié ou par le fournisseur de gaz.

• Ne pas rétablir l'alimentation en gaz tant que la fuite n'a pas été réparée.

• Si vous ne pouvez rejoindre ni un fournisseur ni un technicien qualifié, appelez le service des incendies le plus proche.

• Appelez le fournisseur de gaz le plus proche ou un technicien qualifié.

• Ne pas démarrer le moteur du véhicule ni aucune génératrice électrique.

• Ne touchez à aucun interrupteur, ne pas vous servir du téléphone ou de la radio du véhicule.

• Coupez l'alimentation en gaz au réservoir ou à la source.

— **ODEUR DE GAZ: QUE FAIRE SI VOUS SENTEZ UNE**

— Ne pas entreposer ni utiliser d'essence inflammables à proximité de cet appareil ou de tout autre appareil.

— **«RISQUE D'INCENDIE OU D'EXPLOSION»**

Le non-respect des avertissements de sécurité pourrait entraîner des blessures graves, la mort ou des dommages matériels.»

— **AVERTISSEMENT**

— **AVERTISSEMENT**

— **AVERTISSEMENT**

— **AVERTISSEMENT**

— **AVERTISSEMENT**

— **AVERTISSEMENT**

— **AVERTISSEMENT**

— **AVERTISSEMENT**

— **AVERTISSEMENT**

— **AVERTISSEMENT**

— **AVERTISSEMENT**

— **AVERTISSEMENT**

— **AVERTISSEMENT**

— **AVERTISSEMENT**

— **AVERTISSEMENT**

— **AVERTISSEMENT**

— **AVERTISSEMENT**

— **AVERTISSEMENT**

— **AVERTISSEMENT**

— **AVERTISSEMENT**

— **AVERTISSEMENT**

— **AVERTISSEMENT**

— **AVERTISSEMENT**

— **AVERTISSEMENT**

— **AVERTISSEMENT**

— **AVERTISSEMENT**

— **AVERTISSEMENT**

— **AVERTISSEMENT**

— **AVERTISSEMENT**

— **AVERTISSEMENT**

— **AVERTISSEMENT**

— **AVERTISSEMENT**

— **AVERTISSEMENT**

— **AVERTISSEMENT**

— **AVERTISSEMENT**

— **AVERTISSEMENT**

— **AVERTISSEMENT**

plus proche centre de service Suburban.

INSTALLATEUR: LAISSEZ CETTE NOTICE AVEC L'APPAREIL. CONSOMMATEUR: CONSERVEZ CETTE NOTICE POUR CONSULTATION ULTERIEURE. Pour toute demande d'information, contacter le concessionnaire ou le

Ce manuel contient des instructions couvrant le fonctionnement et l'entretien de votre appareil de chauffage. Ce manuel contient des instructions couvrant le fonctionnement et l'entretien de votre appareil de chauffage.

L'appareil a été inspecté avant son départ de l'usine. Advénant qu'un composant quelconque soit endommagé, ne pas installer l'appareil. Immédiatement le transporteur pour soumettre une demande.

annule toute responsabilité de la part de AIRXCEL, INC. - SUBURBAN DIVISION. Toute non-conformité par rapport aux instructions d'installation rend la garantie de l'appareil invalide et

les critères de sécurité généralement acceptés, on doit se conformer aux instructions

La conception de cet appareil de chauffage a été homologuée pour l'installation dans les véhicules récréatifs seulement. Pour que l'appareil fonctionne en conformité avec

SF-20FQ • SF-25FQ • SF-30FQ • SF-35FQ • SF-42FQ

SF-20Q • SF-25Q • SF-30Q • SF-35Q • SF-42Q

INSTRUCTIONS POUR L'INSTALLATION POUR MODELES

APPAREILS DE CHAUFFAGE A GAZ SUBURBAN

676 Broadway Street
Dayton, Tennessee 37321
423-775-2131
www.AIRXCEL.com

