

REMOVING FRONT PANEL ON AURA AND AURA-SPK

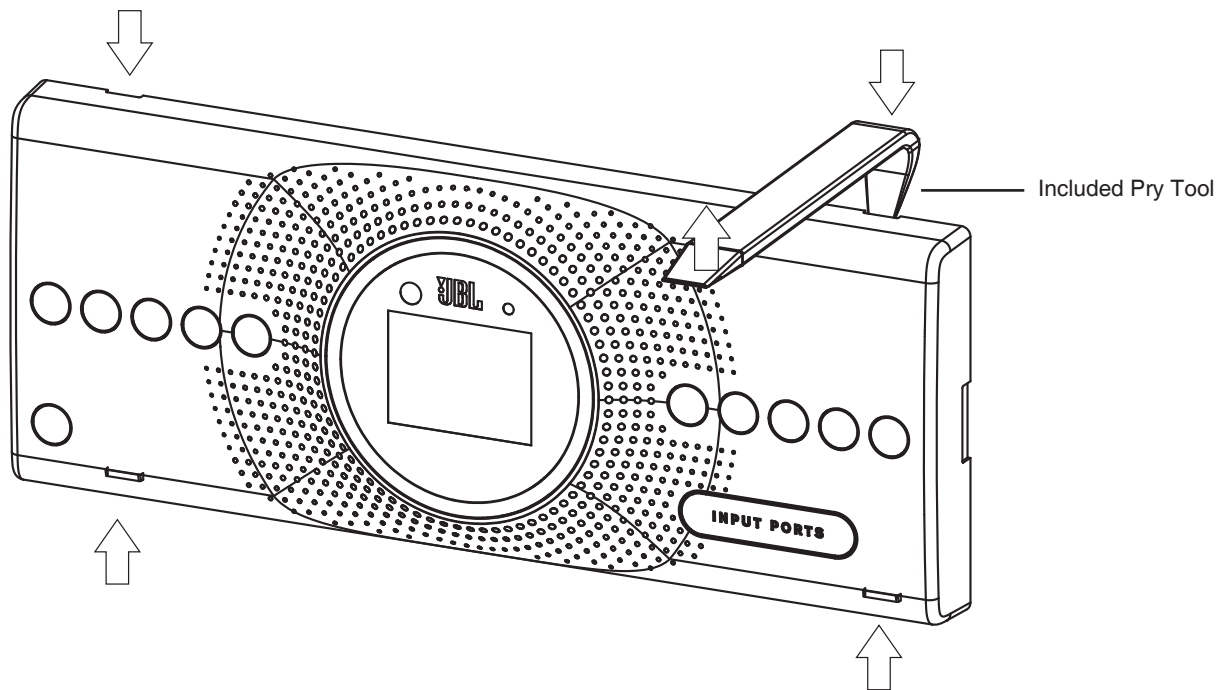


Fig.1 JBL-AURA

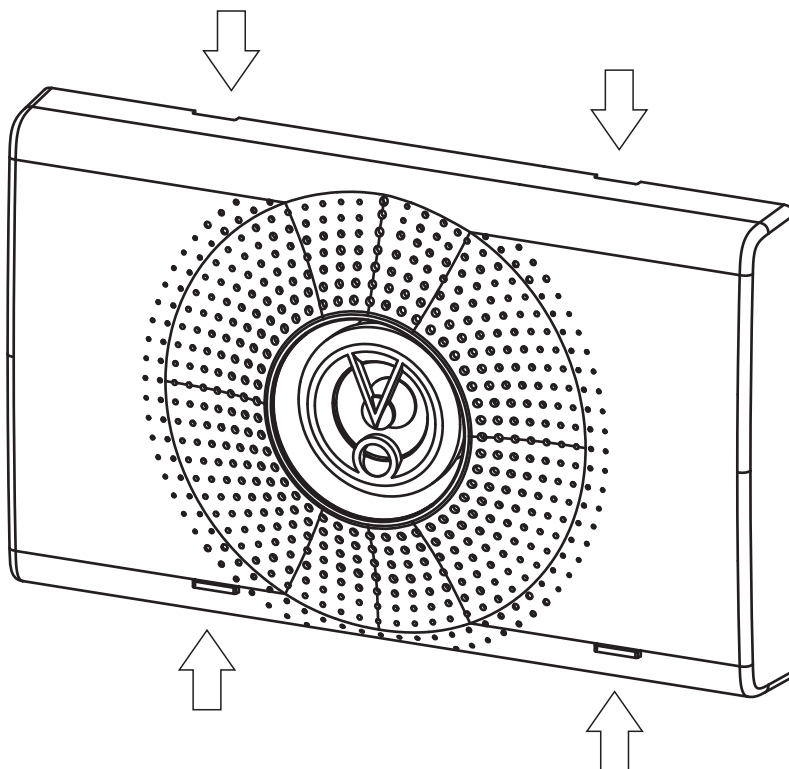


Fig.2 JBL-AURA-SPK

1. Take special care in not damaging the cabinet finish or wall around the media center and/or speaker when removing the front panels. A panel removal tool is included, or a similar automotive non-marring panel pry tool should be recommended.
2. Insert pry tool into notches located on the top and bottom of front panels, and pry outward until all locations release and the panel removes. The concealed fasteners used for mounting are now exposed for component removal.